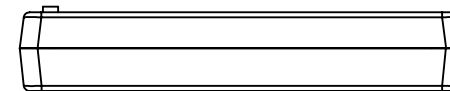
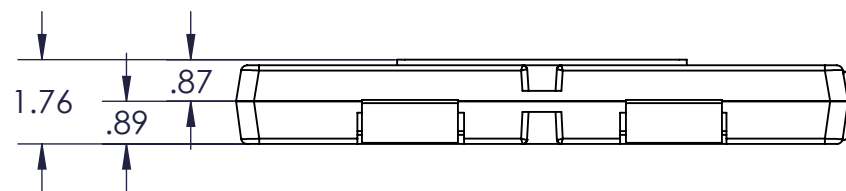
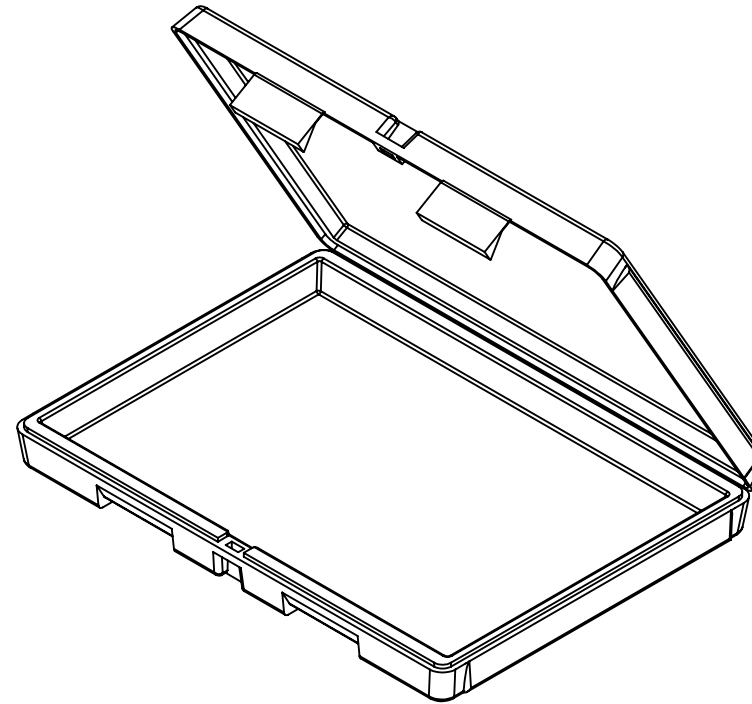
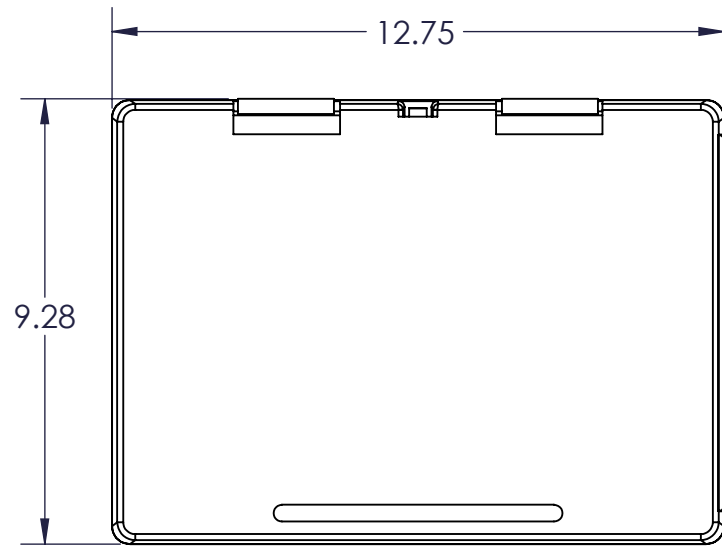



Notes  
1. Logo depth of 0.05"

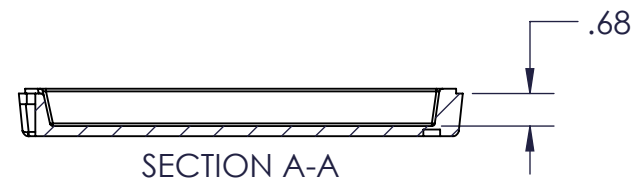
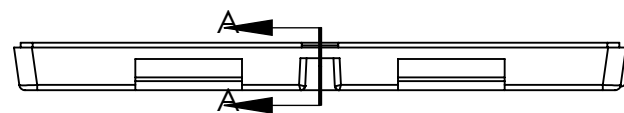
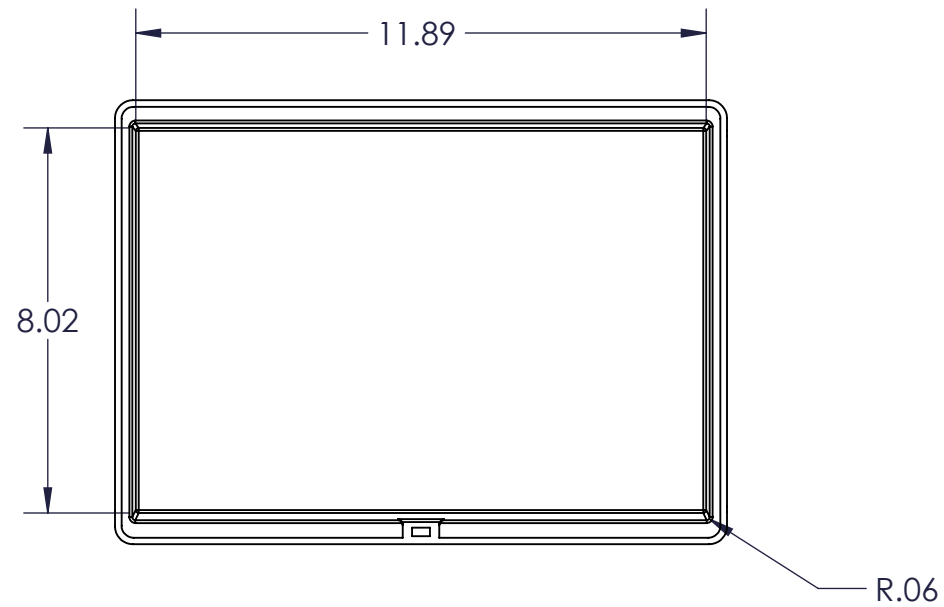
REV	ECR	DESCRIPTION	DATE	BY	APR
REVISIONS					

<b>PROPRIETARY AND CONFIDENTIAL</b> THE INFORMATION CONTAINED IN THIS DRAWING IS THE SOLE PROPERTY OF FLAMBEAU, INC. ANY REPRODUCTION IN PART OR AS A WHOLE WITHOUT THE WRITTEN PERMISSION OF FLAMBEAU, INC. IS PROHIBITED.	<b>SHT</b> <b>1</b>	<b>FLAMBEAU, INC.</b> <small>911 LYNN AVENUE BARABOO, WI 53913 PH.(608)356-5551</small>		
	<b>OF</b> <b>1</b>	Scale: 1:4 Mold No: NA	BFI No: NA Mat'l:	Drawn By: RJH Date: 6-7-18 FPN: <b>TBD</b>
DIMENSIONS ARE IN INCHES TOLERANCES: FRACTIONAL $\pm 1/64$ " ANGULAR: MACH $\pm .5$ BEND $\pm$ TWO PLACE DECIMAL $\pm .040$ " THREE PLACE DECIMAL $\pm .005$ " FOUR PLACE DECIMAL $\pm .001$ "		Description: <b>CC-12 - BACK TOP RIGHT</b>		
		Customer: <b>Flambeau Packaging</b>	Dwg No: <b>50015-TE</b>	



REV	ECR	DESCRIPTION	DATE	BY	APR
REVISIONS					

<b>PROPRIETARY AND CONFIDENTIAL</b> THE INFORMATION CONTAINED IN THIS DRAWING IS THE SOLE PROPERTY OF FLAMBEAU, INC. ANY REPRODUCTION IN PART OR AS A WHOLE WITHOUT THE WRITTEN PERMISSION OF FLAMBEAU, INC. IS PROHIBITED.  DIMENSIONS ARE IN INCHES TOLERANCES: FRACTIONAL $\pm 1/64$ " ANGULAR: MACH $\pm .5$ BEND $\pm$ TWO PLACE DECIMAL $\pm .040$ " THREE PLACE DECIMAL $\pm .005$ " FOUR PLACE DECIMAL $\pm .001$ "	<b>SHT</b> <b>1</b>	 <b>FLAMBEAU, INC.</b> 911 LYNN AVENUE BARABOO, WI 53913 PH.(608)356-5551		
	<b>OF</b> <b>1</b>	Scale: 1:4 Mold No: NA	BFI No: NA Mat'l:	Drawn By: RJH Date: 6-7-18 FPN: TBD
		Description: <b>CC-12 - FRONT BOTTOM LEFT</b>		
		Customer: <b>Flambeau Packaging</b>	Dwg No: <b>50015-BE</b>	

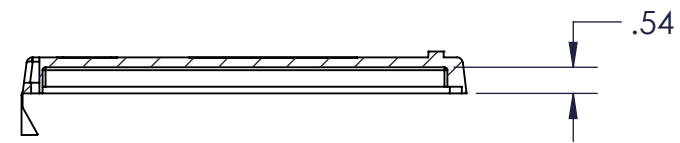
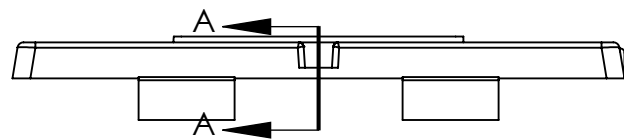


Notes

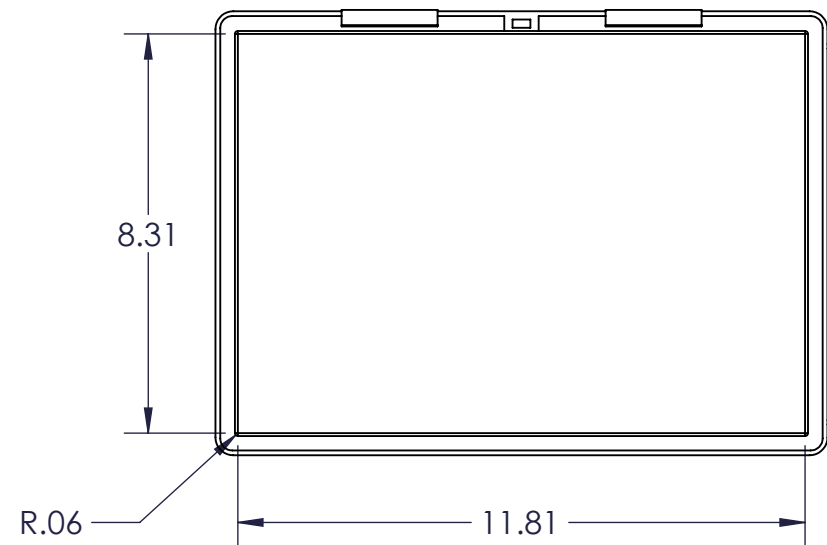
1. Drawing represents the usable storage space for the base interior
2. Flambeau suggest requesting a sample box before designing any fitted dunnage such as foam interiors

<b>PROPRIETARY AND CONFIDENTIAL</b> THE INFORMATION CONTAINED IN THIS DRAWING IS THE SOLE PROPERTY OF FLAMBEAU, INC. ANY REPRODUCTION IN PART OR AS A WHOLE WITHOUT THE WRITTEN PERMISSION OF FLAMBEAU, INC. IS PROHIBITED.	<b>SHT</b> <b>1</b>	<b>FLAMBEAU, INC.</b> <small>911 LYNN AVENUE BARABOO, WI 53913 PH.(608)356-5551</small>	
	<b>1</b>	Scale: 1:4 Mold No: NA	BFI No: NA Mat'l: Drawn By: RJH Date: 6-7-18 FPN: <b>TBD</b>
DIMENSIONS ARE IN INCHES TOLERANCES: FRACTIONAL $\pm 1/64$ " ANGULAR: MACH $\pm .5$ BEND $\pm$ TWO PLACE DECIMAL $\pm .040$ " THREE PLACE DECIMAL $\pm .005$ " FOUR PLACE DECIMAL $\pm .001$ "	<b>OF</b> <b>1</b>	Description: <b>CC-12 - BASE INTERIOR</b> Customer: <b>Flambeau Packaging</b> Dwg No: <b>50015-BI</b>	

REV	ECR	DESCRIPTION	DATE	BY	APR
REVISIONS					



SECTION A-A




Notes

1. Drawing represents the usable storage space for the lid interior
2. Flambeau suggest requesting a sample box before designing any fitted dunnage such as foam interiors

**PROPRIETARY AND CONFIDENTIAL**  
 THE INFORMATION CONTAINED IN THIS DRAWING IS THE SOLE PROPERTY OF FLAMBEAU, INC. ANY REPRODUCTION IN PART OR AS A WHOLE WITHOUT THE WRITTEN PERMISSION OF FLAMBEAU, INC. IS PROHIBITED.

DIMENSIONS ARE IN INCHES  
 TOLERANCES:  
 FRACTIONAL  $\pm 1/64$ "  
 ANGULAR: MACH  $\pm .5$  BEND  $\pm$   
 TWO PLACE DECIMAL  $\pm .040$ "  
 THREE PLACE DECIMAL  $\pm .005$ "  
 FOUR PLACE DECIMAL  $\pm .001$ "

<b>SHT</b> <b>1</b>	 <b>FLAMBEAU, INC.</b> 911 LYNN AVENUE BARABOO, WI 53913 PH.(608)356-5551		
	Scale: 1:4	BFI No: NA	Drawn By: RJH Date: 6-7-18
<b>OF</b> <b>1</b>	Mold No: NA	Mat'l:	FPN: <b>TBD</b>
	Description: <b>CC-12 - LID INTERIOR</b>		
Customer: <b>Flambeau Packaging</b>		Dwg No: <b>50015-LI</b>	

REV	ECR	DESCRIPTION	DATE	BY	APR
REVISIONS					