


Notes
 1. Logo depth of 0.10"

REV	ECR	DESCRIPTION	DATE	BY	APR
REVISIONS					


PROPRIETARY AND CONFIDENTIAL THE INFORMATION CONTAINED IN THIS DRAWING IS THE SOLE PROPERTY OF FLAMBEAU, INC. ANY REPRODUCTION IN PART OR AS A WHOLE WITHOUT THE WRITTEN PERMISSION OF FLAMBEAU, INC. IS PROHIBITED.	SHT 1	 FLAMBEAU INC. 911 LYNN AVENUE BARABOO, WI 53913 PH.(608)356-5551		
	1	Scale: 1:8 Mat'l:	BFI No: NA Mold No:	Drawn By: SML Date: 06-11-18 FPN:
DIMENSIONS ARE IN INCHES TOLERANCES: FRACTIONAL ±1/64" ANGULAR: ±1° TWO PLACE DECIMAL ±.040" THREE PLACE DECIMAL ±.005" FOUR PLACE DECIMAL ±.001"	OF 1	Description: DQ-6 - TOP BACK RIGHT		
		Customer: Flambeau Packaging	Dwg No: 50641-TE	

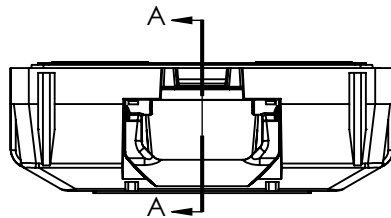
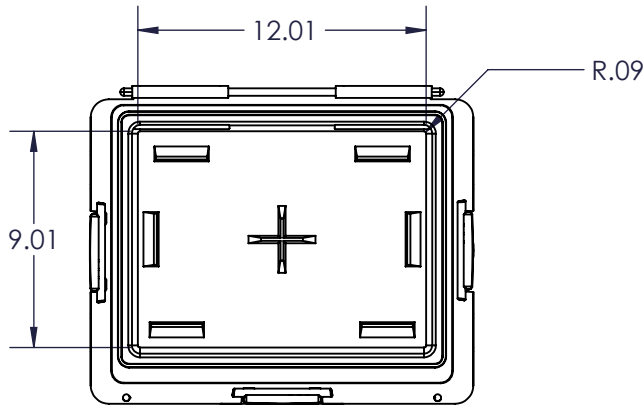


REV	ECR	DESCRIPTION	DATE	BY	APR
REVISIONS					

PROPRIETARY AND CONFIDENTIAL
 THE INFORMATION CONTAINED IN THIS DRAWING IS THE SOLE PROPERTY OF FLAMBEAU, INC. ANY REPRODUCTION IN PART OR AS A WHOLE WITHOUT THE WRITTEN PERMISSION OF FLAMBEAU, INC. IS PROHIBITED.

DIMENSIONS ARE IN INCHES
 TOLERANCES:
 FRACTIONAL ±1/64"
 ANGULAR: ±1°
 TWO PLACE DECIMAL ±.040"
 THREE PLACE DECIMAL ±.005"
 FOUR PLACE DECIMAL ±.001"

SHT 1	 FLAMBEAU INC. 911 LYNN AVENUE BARABOO, WI 53913 PH.(608)356-5551		
	Scale: 1:8	BFI No: NA	Drawn By: SML Date: 06-11-18
OF 1	Mat'l:	Mold No:	FPN:
	Description: DQ-6 - BOTTOM FRONT LEFT		
	Customer: Flambeau Packaging	Dwg No: 50641-BE	



SECTION A-A

Notes

1. Drawing represents the usable storage space for the base interior
2. Flambeau suggest requesting a sample box before designing any fitted dunnage such as foam interiors

PROPRIETARY AND CONFIDENTIAL
 THE INFORMATION CONTAINED IN THIS DRAWING IS THE SOLE PROPERTY OF FLAMBEAU, INC. ANY REPRODUCTION IN PART OR AS A WHOLE WITHOUT THE WRITTEN PERMISSION OF FLAMBEAU, INC. IS PROHIBITED.

DIMENSIONS ARE IN INCHES
 TOLERANCES:
 FRACTIONAL ±1/64"
 ANGULAR: ±1°
 TWO PLACE DECIMAL ±.040"
 THREE PLACE DECIMAL ±.005"
 FOUR PLACE DECIMAL ±.001"

SHT
1

OF
1



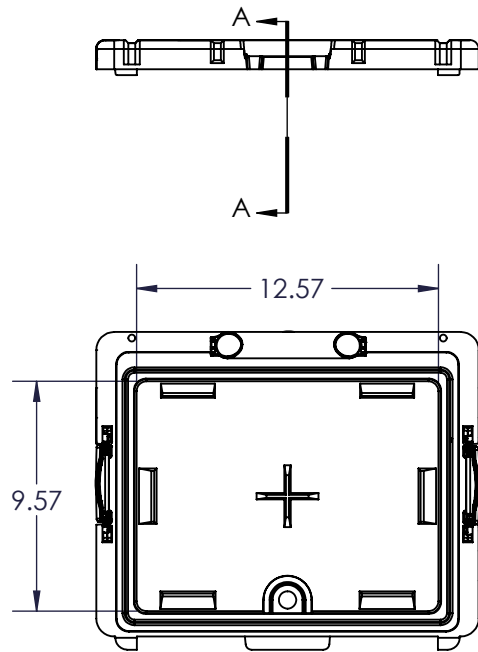
FLAMBEAU INC.

911 LYNN AVENUE BARABOO, WI 53913 PH.(608)356-5551

Scale: 1:8	BFI No: NA	Drawn By: SML Date: 6-12-18
Mat'l:	Mold No:	FPN:

Description: DQ-6 - BASE INTERIOR	
Customer: Flambeau Packaging	Dwg No: 50641-BI


REV	ECR	DESCRIPTION	DATE	BY	APR
REVISIONS					



Notes

1. Drawing represents the usable storage space for the base interior
2. Flambeau suggest requesting a sample box before designing any fitted dunnage such as foam interiors

REV	ECR	DESCRIPTION	DATE	BY	APR
REVISIONS					

PROPRIETARY AND CONFIDENTIAL THE INFORMATION CONTAINED IN THIS DRAWING IS THE SOLE PROPERTY OF FLAMBEAU, INC. ANY REPRODUCTION IN PART OR AS A WHOLE WITHOUT THE WRITTEN PERMISSION OF FLAMBEAU, INC. IS PROHIBITED.	SHT 1	 FLAMBEAU INC. 911 LYNN AVENUE BARABOO, WI 53913 PH.(608)356-5551		
		Scale: 1:8 Mat'l:	BFI No: NA Mold No:	Drawn By: SML Date: 6-12-18 FPN:
DIMENSIONS ARE IN INCHES TOLERANCES: FRACTIONAL ±1/64" ANGULAR: ±1° TWO PLACE DECIMAL ±.040" THREE PLACE DECIMAL ±.005" FOUR PLACE DECIMAL ±.001"	OF 1	Description: DQ-6 - LID INTERIOR		
		Customer: Flambeau Packaging	Dwg No: 50641-LI	