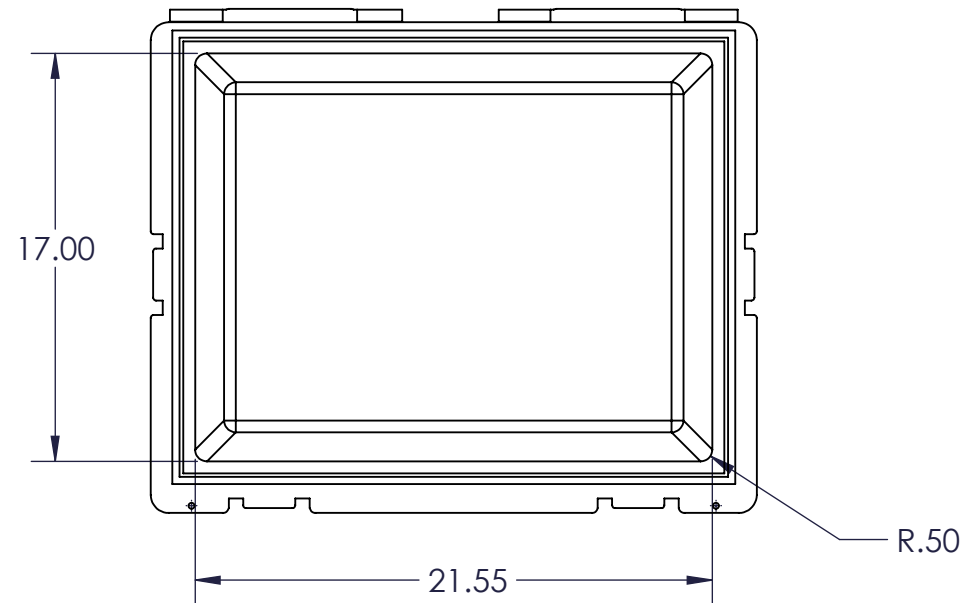
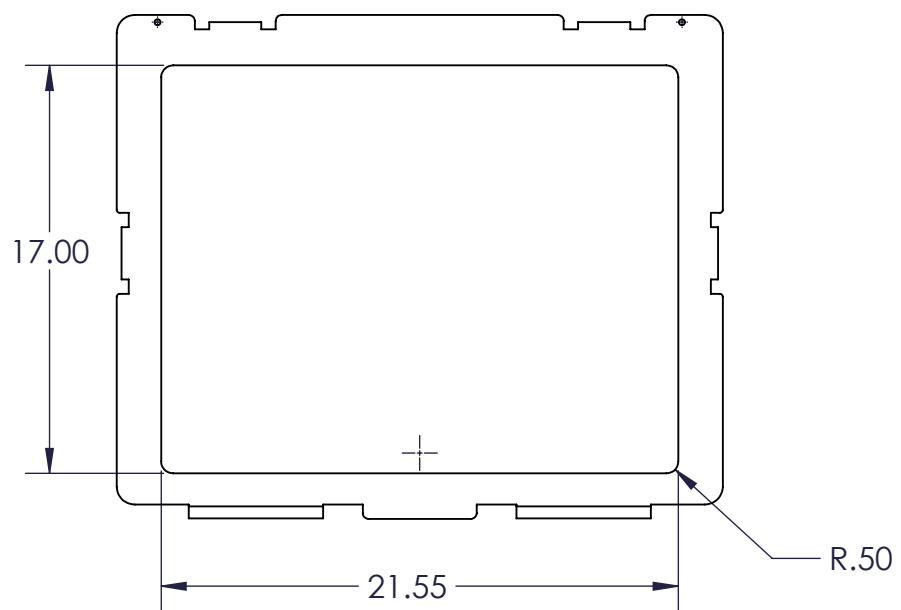
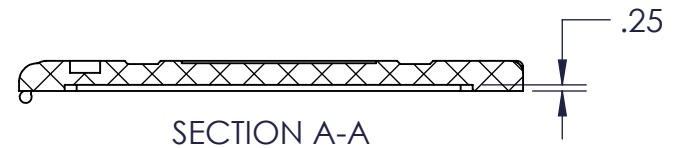
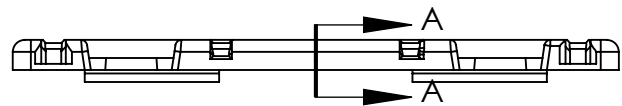


SECTION A-A




PROPRIETARY AND CONFIDENTIAL THE INFORMATION CONTAINED IN THIS DRAWING IS THE SOLE PROPERTY OF FLAMBEAU, INC. ANY REPRODUCTION IN PART OR AS A WHOLE WITHOUT THE WRITTEN PERMISSION OF FLAMBEAU, INC. IS PROHIBITED.	SHT 1	FLAMBEAU, INC. 911 LYNN AVENUE BARABOO, WI 53913 PH.(608)356-5551	
	1	Scale: 1:8 Mold No: NA	BFI No: Mat'l: Drawn By: SLJ Date: 2-23-18 FPN: TBD
DIMENSIONS ARE IN INCHES TOLERANCES: FRACTIONAL ±1/64" ANGULAR: MACH ± .5 BEND ± TWO PLACE DECIMAL ±.040" THREE PLACE DECIMAL ±.005" FOUR PLACE DECIMAL ±.001"	OF 1	Description: DY-9 BASE INTERIOR Customer: Flambeau Packaging	
		Dwg No: 50720-BI	

REV	ECR	DESCRIPTION	DATE	BY	APR
REVISIONS					



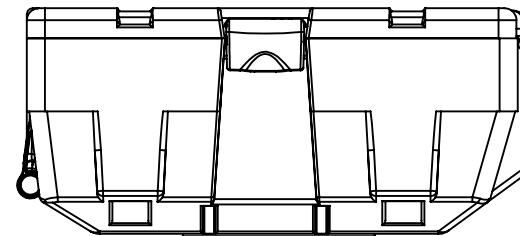
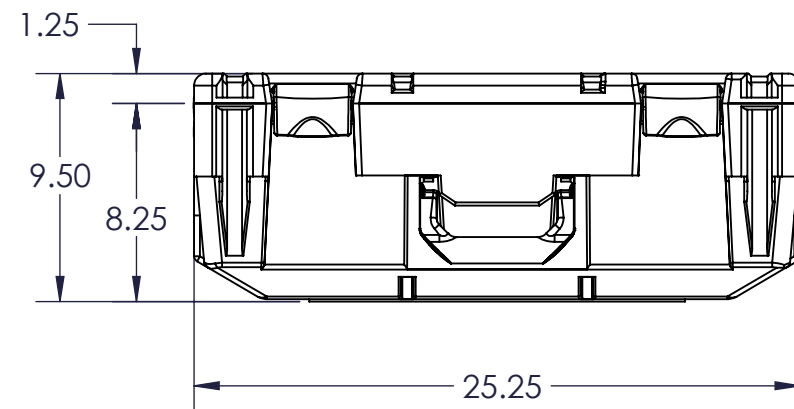
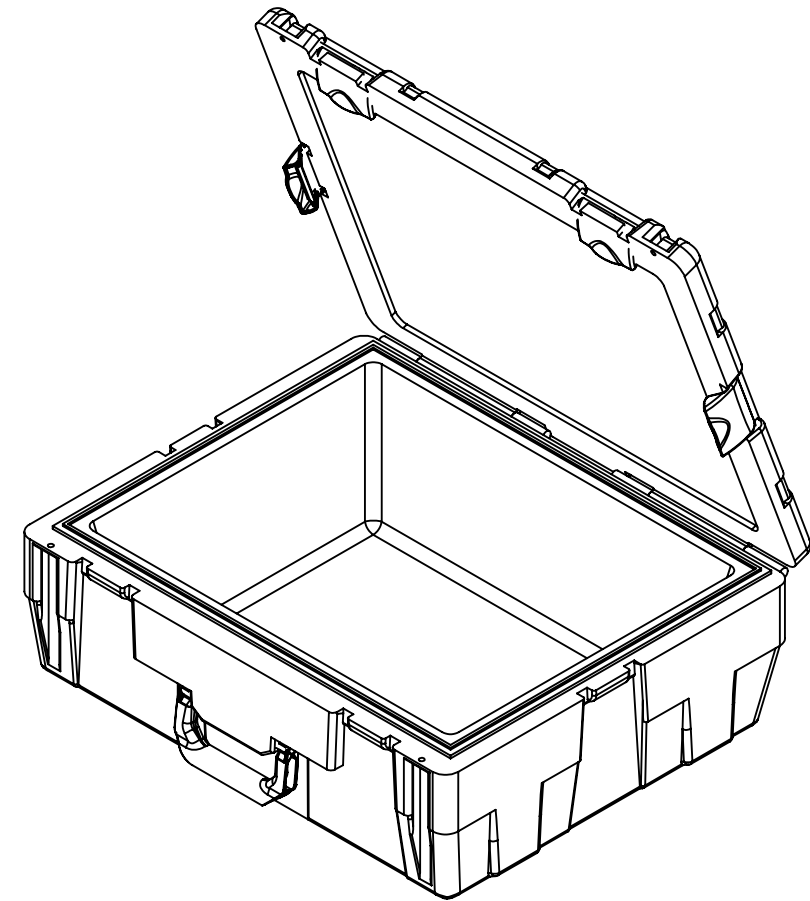
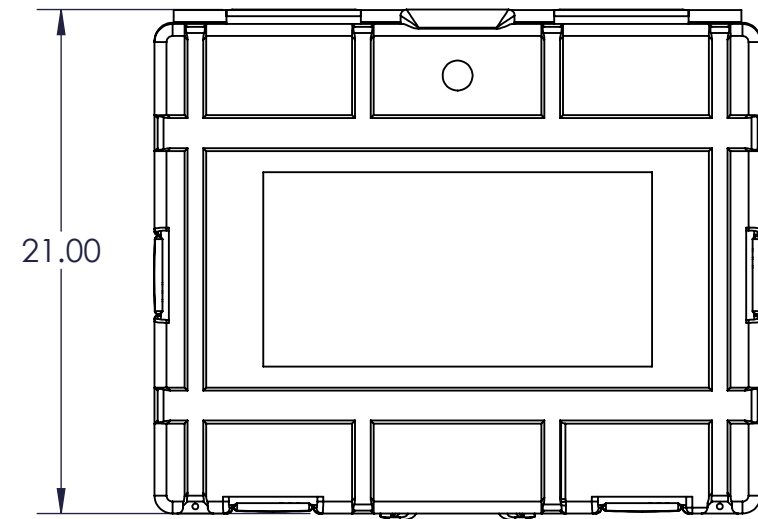
PROPRIETARY AND CONFIDENTIAL
 THE INFORMATION CONTAINED IN THIS DRAWING IS THE SOLE PROPERTY OF FLAMBEAU, INC. ANY REPRODUCTION IN PART OR AS A WHOLE WITHOUT THE WRITTEN PERMISSION OF FLAMBEAU, INC. IS PROHIBITED.

SHT 1	 FLAMBEAU, INC. 911 LYNN AVENUE BARABOO, WI 53913 PH.(608)356-5551	
	Scale: 1:8	BFI No: NA
OF 1	Mold No: NA	Mat'l:
	Description: DY-9 LID INTERIOR	
Customer: Flambeau Packaging		Dwg No: 50720-LI


REV	ECR	DESCRIPTION	DATE	BY	APR
REVISIONS					

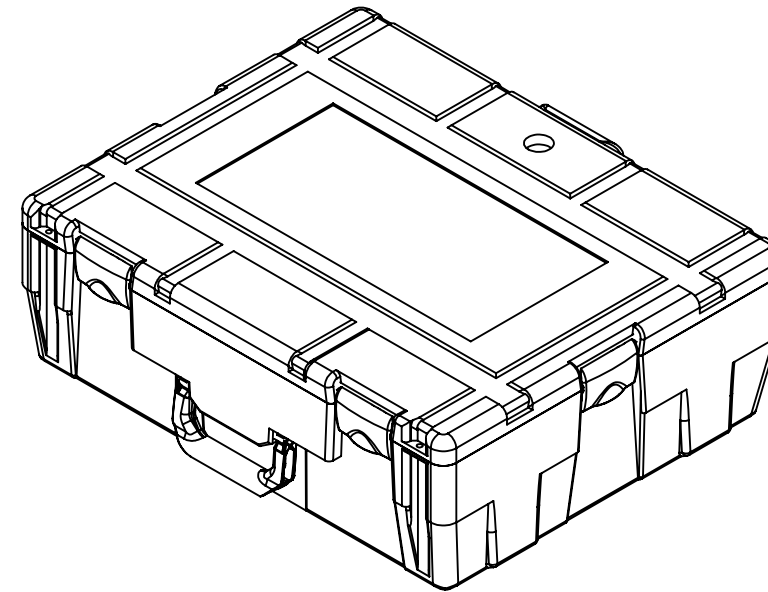
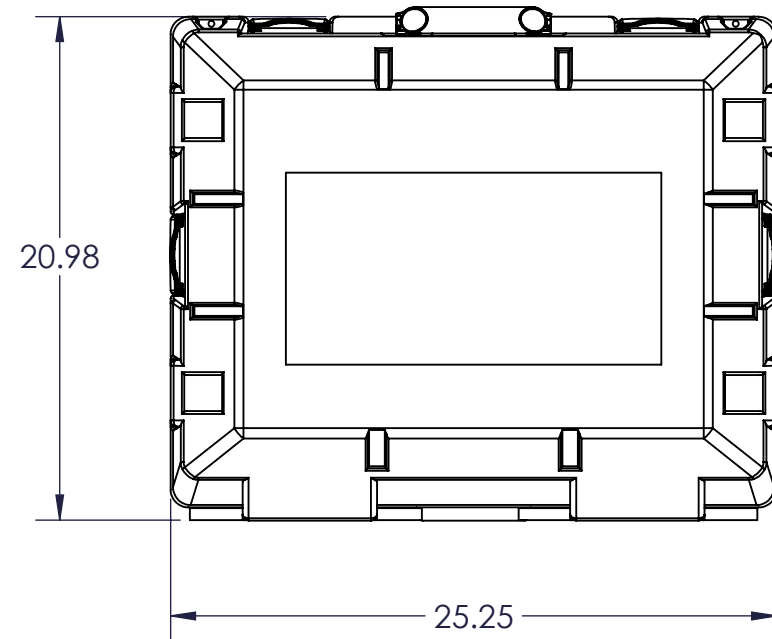
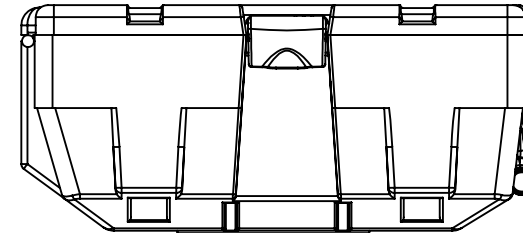
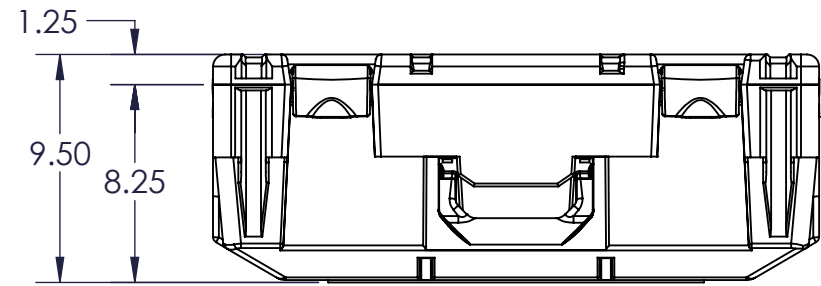
DIMENSIONS ARE IN INCHES
 TOLERANCES:
 FRACTIONAL ±1/64"
 ANGULAR: MACH ± .5 BEND ±
 TWO PLACE DECIMAL ±.040"
 THREE PLACE DECIMAL ±.005"
 FOUR PLACE DECIMAL ±.001"

Drawn By: SLJ	Date: 2-23-18
FPN: TBD	



REV	ECR	DESCRIPTION	DATE	BY	APR
REVISIONS					

<p>PROPRIETARY AND CONFIDENTIAL THE INFORMATION CONTAINED IN THIS DRAWING IS THE SOLE PROPERTY OF FLAMBEAU, INC. ANY REPRODUCTION IN PART OR AS A WHOLE WITHOUT THE WRITTEN PERMISSION OF FLAMBEAU, INC. IS PROHIBITED.</p> <p>DIMENSIONS ARE IN INCHES TOLERANCES: FRACTIONAL $\pm 1/64$" ANGULAR: MACH $\pm .5$ BEND \pm TWO PLACE DECIMAL $\pm .040$" THREE PLACE DECIMAL $\pm .005$" FOUR PLACE DECIMAL $\pm .001$"</p>	<p>SHT 1</p>	 FLAMBEAU, INC. <small>911 LYNN AVENUE BARABOO, WI 53913 PH.(608)356-5551</small>		<p>Scale: 1:8</p>	<p>BFI No: NA</p>	<p>Drawn By: SLJ Date: 2-23-18</p>
	<p>OF 1</p>	<p>Description: DY-9 BACK, TOP, RIGHT</p>		<p>Mold No: NA</p>	<p>Mat'l:</p>	<p>FPN: TBD</p>
			<p>Customer: Flambeau Packaging</p>	<p>Dwg No: 50720-TE</p>		



REV	ECR	DESCRIPTION	DATE	BY	APR
REVISIONS					

<p>PROPRIETARY AND CONFIDENTIAL THE INFORMATION CONTAINED IN THIS DRAWING IS THE SOLE PROPERTY OF FLAMBEAU, INC. ANY REPRODUCTION IN PART OR AS A WHOLE WITHOUT THE WRITTEN PERMISSION OF FLAMBEAU, INC. IS PROHIBITED.</p> <p>DIMENSIONS ARE IN INCHES TOLERANCES: FRACTIONAL $\pm 1/64$" ANGULAR: MACH $\pm .5$ BEND \pm TWO PLACE DECIMAL $\pm .040$" THREE PLACE DECIMAL $\pm .005$" FOUR PLACE DECIMAL $\pm .001$"</p>	SHT	FLAMBEAU, INC. <small>911 LYNN AVENUE BARABOO, WI 53913 PH.(608)356-5551</small>		
	1	Scale: 1:8	BFI No: NA	Drawn By: SLJ Date: 2-23-18
	OF	Mold No: NA	Mat'l:	FPN: TBD
1	Description: DY-9 FRONT BOTTOM LEFT			Customer: Flambeau Packaging
				Dwg No: 50720-BE