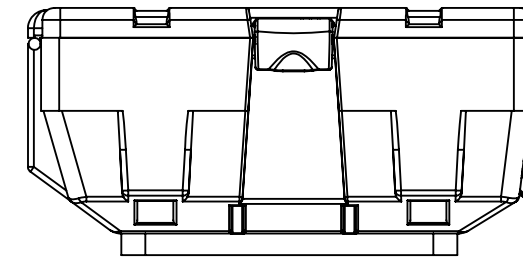
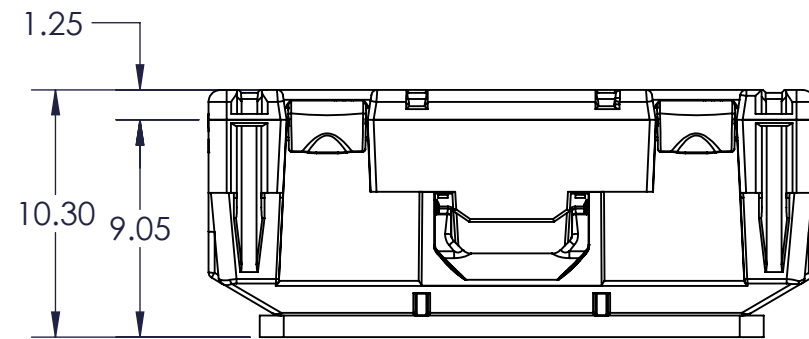
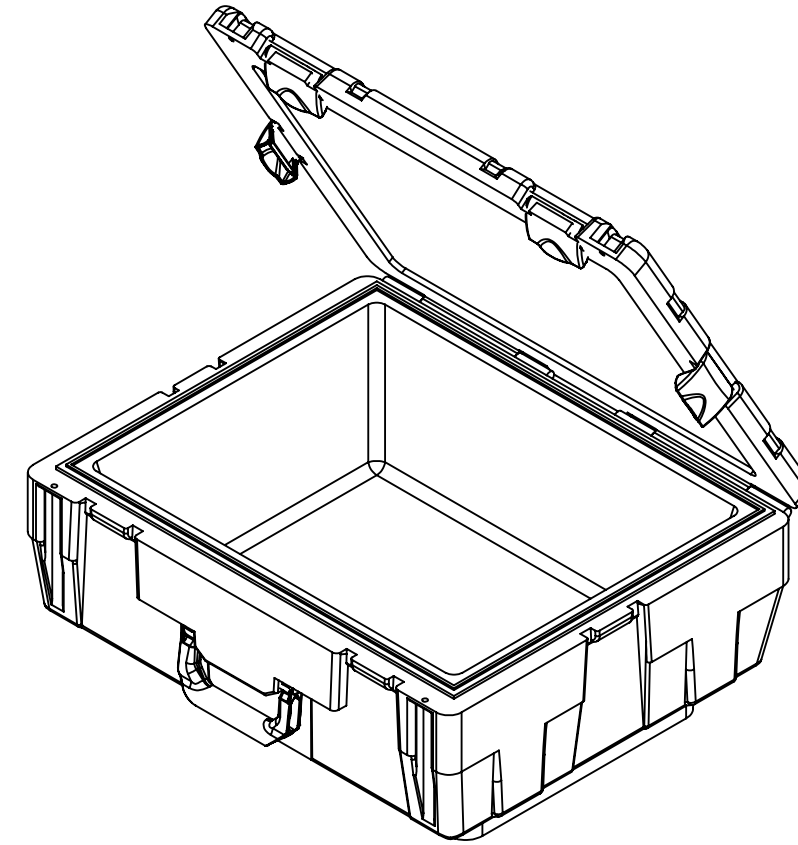
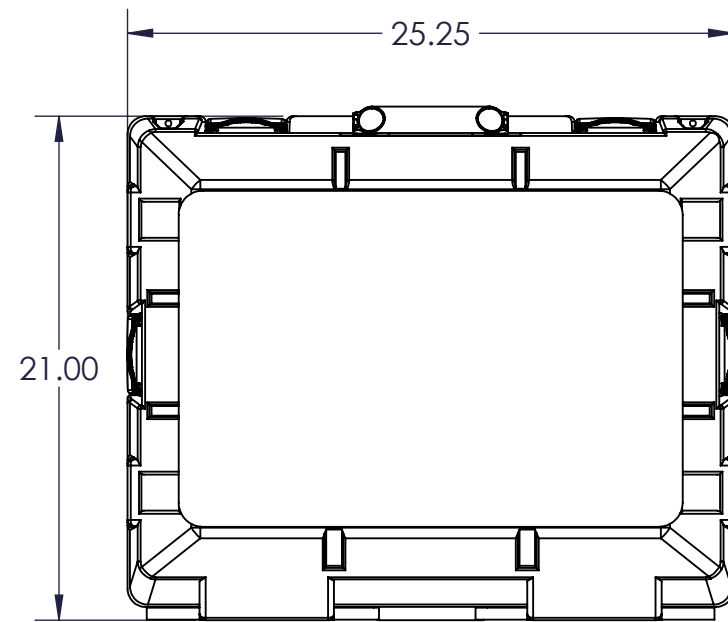


Notes  
 1. Logo depth of 0.1"

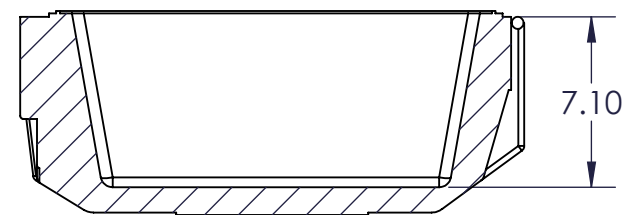
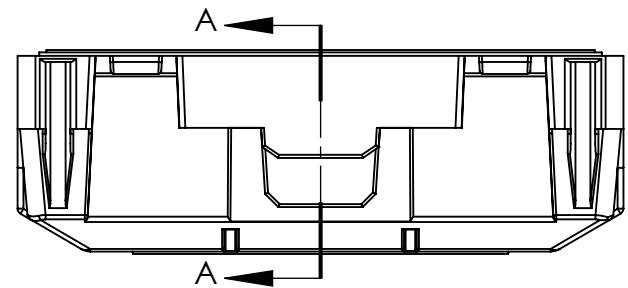
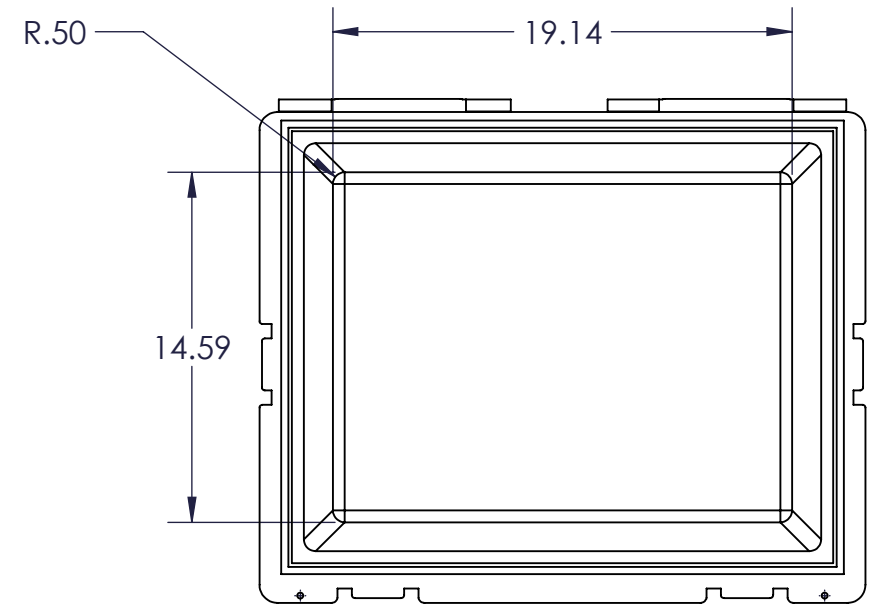
REV	ECR	DESCRIPTION	DATE	BY	APR
REVISIONS					

<p><b>PROPRIETARY AND CONFIDENTIAL</b>          THE INFORMATION CONTAINED IN THIS DRAWING IS THE SOLE PROPERTY OF FLAMBEAU, INC. ANY REPRODUCTION IN PART OR AS A WHOLE WITHOUT THE WRITTEN PERMISSION OF FLAMBEAU, INC. IS PROHIBITED.</p> <p>DIMENSIONS ARE IN INCHES          TOLERANCES:          FRACTIONAL <math>\pm 1/64</math>"          ANGULAR: MACH <math>\pm .5</math> BEND <math>\pm</math>          TWO PLACE DECIMAL <math>\pm .040</math>"          THREE PLACE DECIMAL <math>\pm .005</math>"          FOUR PLACE DECIMAL <math>\pm .001</math>"</p>	<b>SHT</b>	<b>FLAMBEAU, INC.</b> <small>911 LYNN AVENUE BARABOO, WI 53913 PH.(608)356-5551</small>		
	<b>1</b>	Scale: 1:8	BFI No: NA	Drawn By: RJH Date: 6-12-18
		Mold No: NA	Mat'l:	FPN: <b>TBD</b>
	<b>OF</b>	Description: <b>DY-9W - BACK TOP RIGHT</b>		
<b>1</b>	Customer: <b>Flambeau Packaging</b>	Dwg No: <b>50720W-TE</b>		



REV	ECR	DESCRIPTION	DATE	BY	APR
REVISIONS					

<b>PROPRIETARY AND CONFIDENTIAL</b> THE INFORMATION CONTAINED IN THIS DRAWING IS THE SOLE PROPERTY OF FLAMBEAU, INC. ANY REPRODUCTION IN PART OR AS A WHOLE WITHOUT THE WRITTEN PERMISSION OF FLAMBEAU, INC. IS PROHIBITED.  DIMENSIONS ARE IN INCHES TOLERANCES: FRACTIONAL $\pm 1/64$ " ANGULAR: MACH $\pm .5$ BEND $\pm$ TWO PLACE DECIMAL $\pm .040$ " THREE PLACE DECIMAL $\pm .005$ " FOUR PLACE DECIMAL $\pm .001$ "	SHT	<b>FLAMBEAU, INC.</b> <small>911 LYNN AVENUE BARABOO, WI 53913 PH.(608)356-5551</small>		
	<b>1</b>	Scale: 1:8	BFI No: NA	Drawn By: RJH Date: 6-12-18
	OF	Mold No: NA	Mat'l:	FPN: <b>TBD</b>
	<b>1</b>	Description: <b>DY-9W - FRONT BOTTOM LEFT</b>		
		Customer: <b>Flambeau Packaging</b>	Dwg No: <b>50720W-BE</b>	



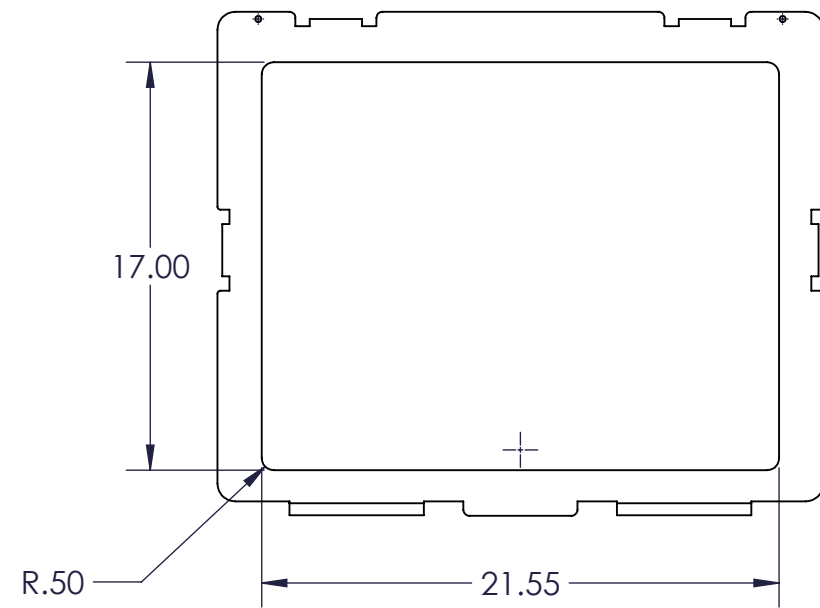
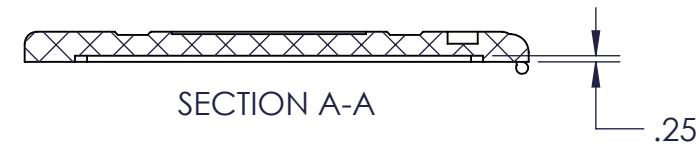
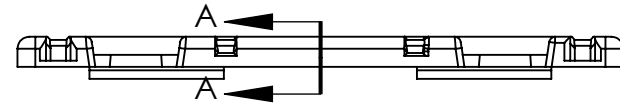
SECTION A-A

Notes

1. Drawing represents the usable storage space for the base interior
2. Flambeau suggest requesting a sample box before designing any fitted dunnage such as foam interiors

REV	ECR	DESCRIPTION	DATE	BY	APR
REVISIONS					

<b>PROPRIETARY AND CONFIDENTIAL</b> THE INFORMATION CONTAINED IN THIS DRAWING IS THE SOLE PROPERTY OF FLAMBEAU, INC. ANY REPRODUCTION IN PART OR AS A WHOLE WITHOUT THE WRITTEN PERMISSION OF FLAMBEAU, INC. IS PROHIBITED.	SHT	<b>FLAMBEAU, INC.</b> <small>911 LYNN AVENUE BARABOO, WI 53913 PH.(608)356-5551</small>		
	<b>1</b>	Scale: 1:8	BFI No: NA	Drawn By: RJH Date: 6-12-18
DIMENSIONS ARE IN INCHES TOLERANCES: FRACTIONAL ±1/64" ANGULAR: MACH ± .5 BEND ± TWO PLACE DECIMAL ±.040" THREE PLACE DECIMAL ±.005" FOUR PLACE DECIMAL ±.001"	OF	Description: <b>DY-9W - BASE INTERIOR</b>		
	<b>1</b>	Customer: <b>Flambeau Packaging</b>	Dwg No: <b>50720W-BI</b>	



**Notes**

1. Drawing represents the usable storage space for the lid interior
2. Flambeau suggest requesting a sample box before designing any fitted dunnage such as foam interiors

REV	ECR	DESCRIPTION	DATE	BY	APR
REVISIONS					

<b>PROPRIETARY AND CONFIDENTIAL</b> THE INFORMATION CONTAINED IN THIS DRAWING IS THE SOLE PROPERTY OF FLAMBEAU, INC. ANY REPRODUCTION IN PART OR AS A WHOLE WITHOUT THE WRITTEN PERMISSION OF FLAMBEAU, INC. IS PROHIBITED.	<b>SHT</b>	<b>FLAMBEAU, INC.</b> <small>911 LYNN AVENUE BARABOO, WI 53913 PH.(608)356-5551</small>		
	<b>1</b>	Scale: 1:8	BFI No: NA	Drawn By: RJH Date: 6-12-18
DIMENSIONS ARE IN INCHES TOLERANCES: FRACTIONAL ±1/64" ANGULAR: MACH ± .5 BEND ± TWO PLACE DECIMAL ±.040" THREE PLACE DECIMAL ±.005" FOUR PLACE DECIMAL ±.001"	<b>OF</b>	Description: <b>DY-9W - LID INTERIOR</b>		
	<b>1</b>	Customer: <b>Flambeau Packaging</b>		Dwg No: <b>50720W-LI</b>