
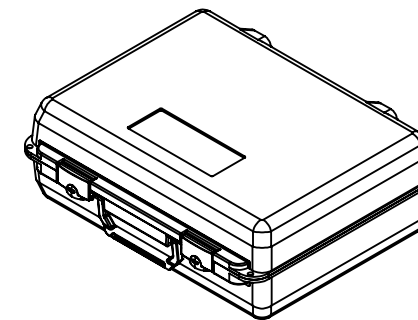
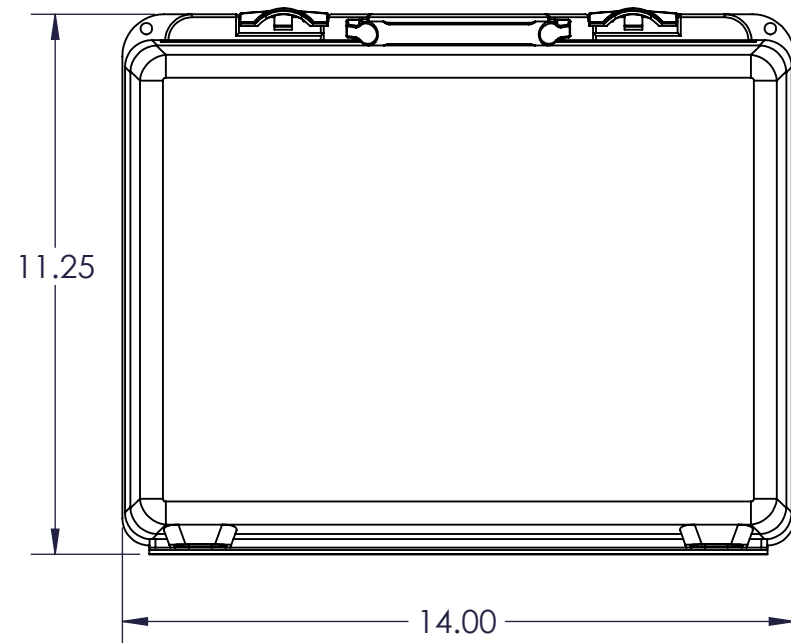
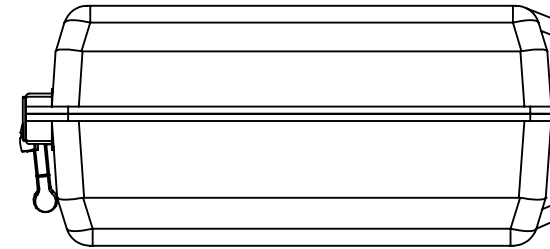
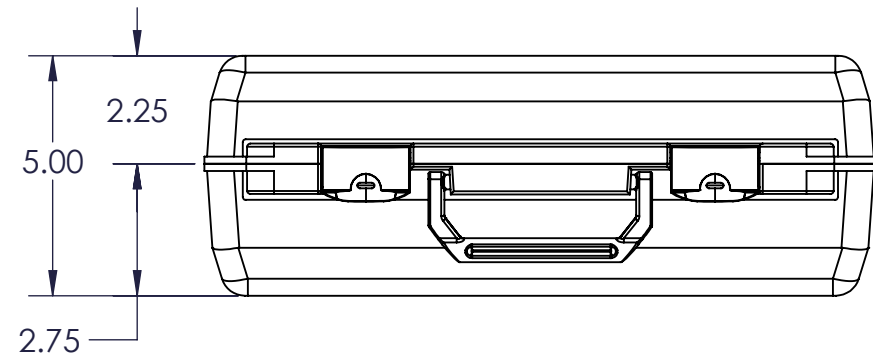


Notes
 1. Depth of logo area: 0.10"

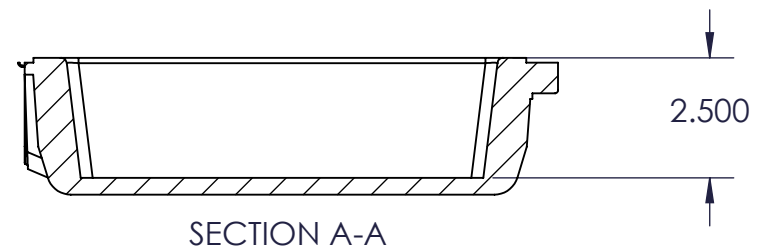
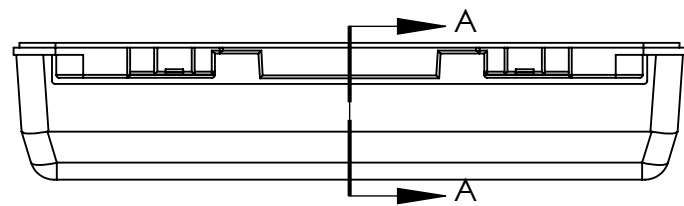
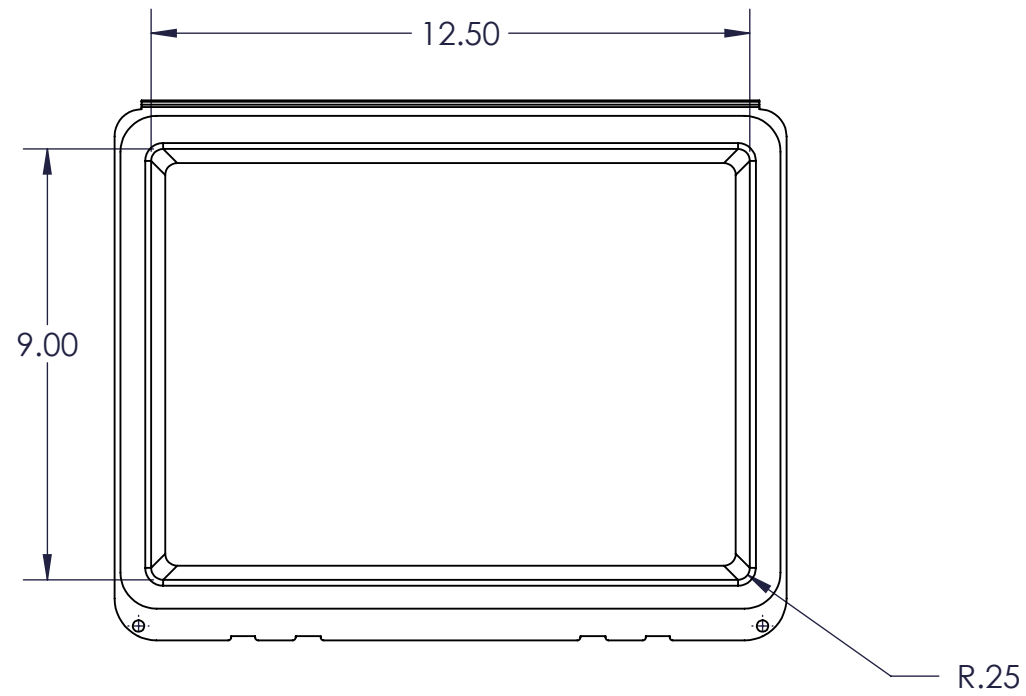
REV	ECR	DESCRIPTION	DATE	BY	APR
REVISIONS					

PROPRIETARY AND CONFIDENTIAL THE INFORMATION CONTAINED IN THIS DRAWING IS THE SOLE PROPERTY OF FLAMBEAU, INC. ANY REPRODUCTION IN PART OR AS A WHOLE WITHOUT THE WRITTEN PERMISSION OF FLAMBEAU, INC. IS PROHIBITED. DIMENSIONS ARE IN INCHES TOLERANCES: FRACTIONAL $\pm 1/64$ " ANGULAR: MACH $\pm .5$ BEND \pm TWO PLACE DECIMAL $\pm .040$ " THREE PLACE DECIMAL $\pm .005$ " FOUR PLACE DECIMAL $\pm .001$ "	SHT 1	 FLAMBEAU, INC. 911 LYNN AVENUE BARABOO, WI 53913 PH.(608)356-5551		
	1	Scale: 1:4 Mold No: NA	BFI No: NA Mat'l:	Drawn By: RES Date: 4-22-18 FPN: TBD
OF 1		Description: FV-5 (integral hinge) BACK TOP RIGHT		
		Customer: Flambeau Packaging	Dwg No: 50350-TE	



REV	ECR	DESCRIPTION	DATE	BY	APR
REVISIONS					

<p>PROPRIETARY AND CONFIDENTIAL THE INFORMATION CONTAINED IN THIS DRAWING IS THE SOLE PROPERTY OF FLAMBEAU, INC. ANY REPRODUCTION IN PART OR AS A WHOLE WITHOUT THE WRITTEN PERMISSION OF FLAMBEAU, INC. IS PROHIBITED.</p> <p>DIMENSIONS ARE IN INCHES TOLERANCES: FRACTIONAL $\pm 1/64$" ANGULAR: MACH $\pm .5$ BEND \pm TWO PLACE DECIMAL $\pm .040$" THREE PLACE DECIMAL $\pm .005$" FOUR PLACE DECIMAL $\pm .001$"</p>	SHT	FLAMBEAU, INC. <small>911 LYNN AVENUE BARABOO, WI 53913 PH.(608)356-5551</small>		
	1	Scale: 1:8	BFI No: NA	Drawn By: RES Date: 4-22-18
	OF	Mold No: NA	Mat'l:	FPN: TBD
	1	Description: FV-5 (integral hinge) FRONT BOTTOM LEFT		
		Customer: Flambeau Packaging	Dwg No: 50350-BE	

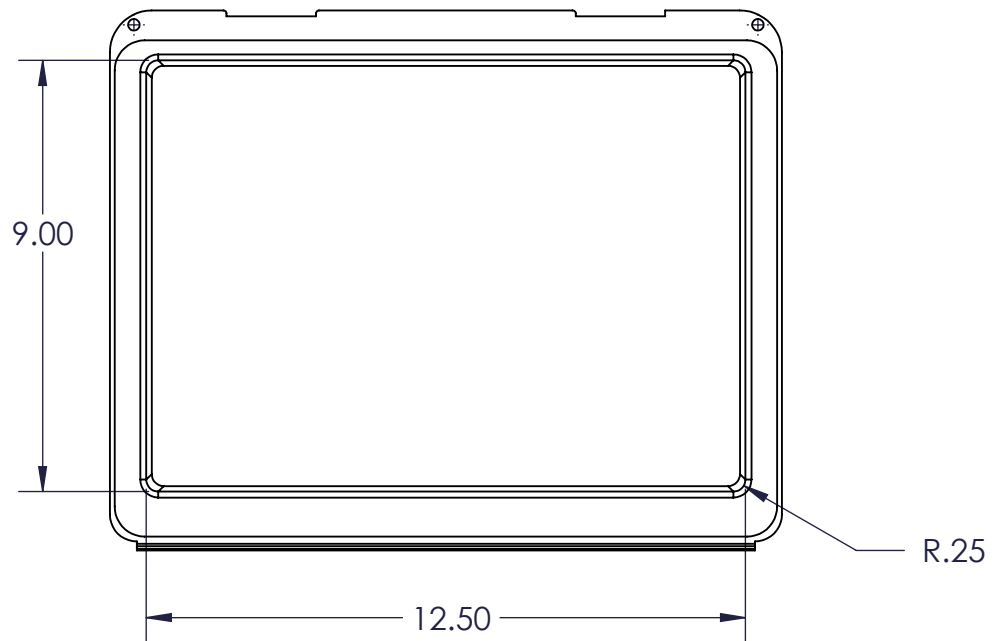
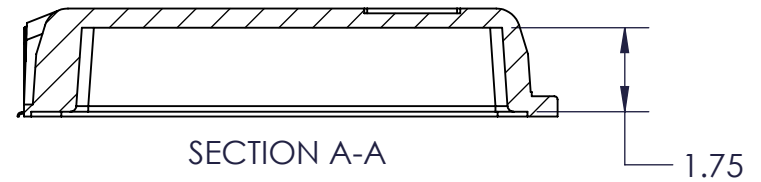
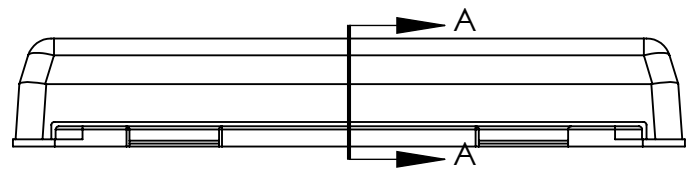


Notes

1. Drawing represents usable storage space for the base interior.
2. Flambeau recommends requesting a sample box before designing any fitted dunnage solution such as foam interiors

REV	ECR	DESCRIPTION	DATE	BY	APR
REVISIONS					

PROPRIETARY AND CONFIDENTIAL THE INFORMATION CONTAINED IN THIS DRAWING IS THE SOLE PROPERTY OF FLAMBEAU, INC. ANY REPRODUCTION IN PART OR AS A WHOLE WITHOUT THE WRITTEN PERMISSION OF FLAMBEAU, INC. IS PROHIBITED.	SHT 1	FLAMBEAU, INC. <small>911 LYNN AVENUE BARABOO, WI 53913 PH.(608)356-5551</small>		
	1 OF 1	Scale: 1:4 Mold No: NA	BFI No: NA Mat'l:	Drawn By: RES Date: 4-22-18 FPN: TBD
DIMENSIONS ARE IN INCHES TOLERANCES: FRACTIONAL ±1/64" ANGULAR: MACH ±.5 BEND ± TWO PLACE DECIMAL ±.040" THREE PLACE DECIMAL ±.005" FOUR PLACE DECIMAL ±.001"		Description: FV-5 (integral hinge) BASE INTERIOR Customer: Flambeau Fluid Systems Dwg No: 50350-BI		



PROPRIETARY AND CONFIDENTIAL THE INFORMATION CONTAINED IN THIS DRAWING IS THE SOLE PROPERTY OF FLAMBEAU, INC. ANY REPRODUCTION IN PART OR AS A WHOLE WITHOUT THE WRITTEN PERMISSION OF FLAMBEAU, INC. IS PROHIBITED. DIMENSIONS ARE IN INCHES TOLERANCES: FRACTIONAL $\pm 1/64$ " ANGULAR: MACH $\pm .5$ BEND \pm TWO PLACE DECIMAL $\pm .040$ " THREE PLACE DECIMAL $\pm .005$ " FOUR PLACE DECIMAL $\pm .001$ "	SHT	FLAMBEAU, INC. <small>911 LYNN AVENUE BARABOO, WI 53913 PH.(608)356-5551</small>	
	1	Scale: 1:4	BFI No: NA
		Mold No: NA	Mat'l:
	OF	Description: FV-5 (integral hinge) LID INTERIOR	
1		Customer: Flambeau Packaging	Dwg No: 50350-LI

REV	ECR	DESCRIPTION	DATE	BY	APR
REVISIONS					