
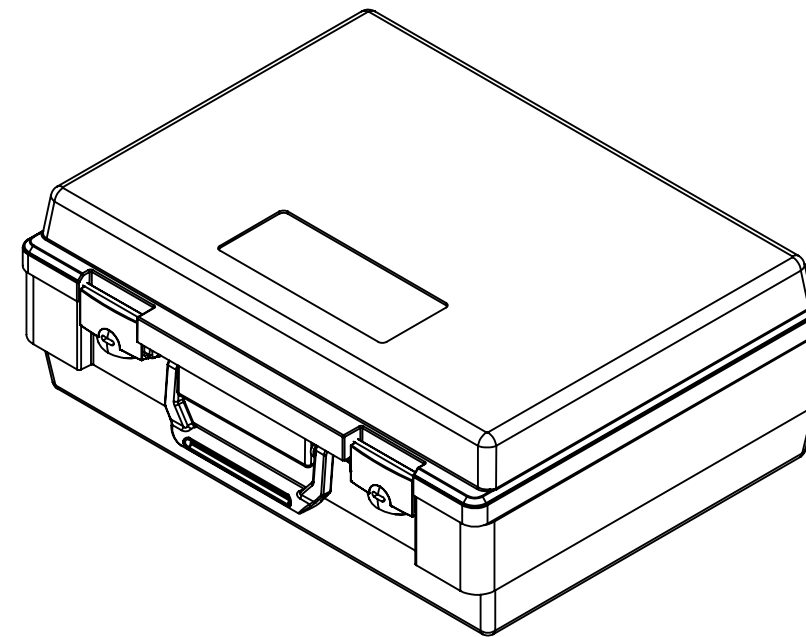
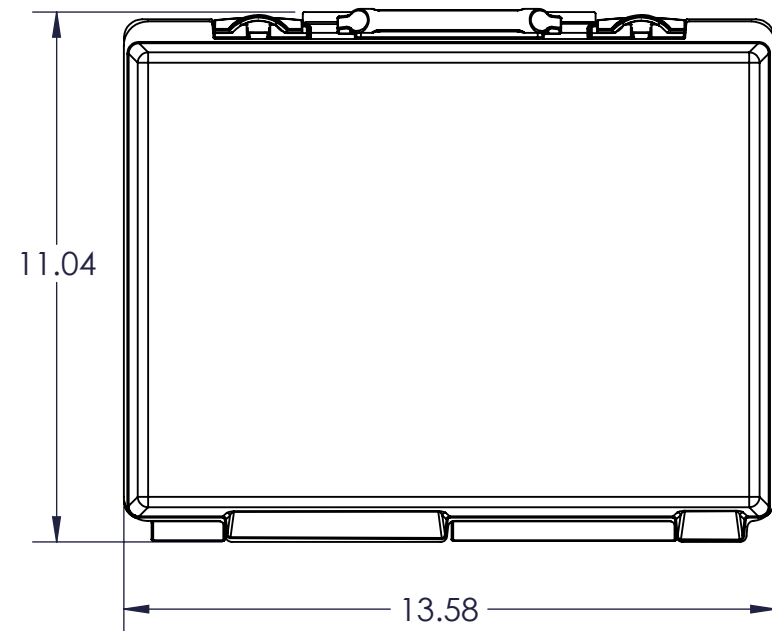
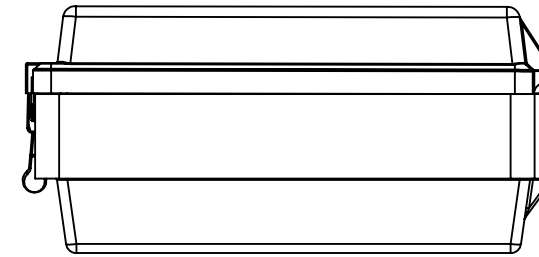
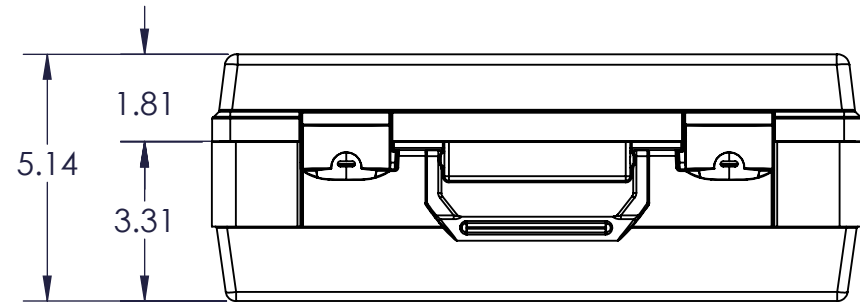


Notes  
 1. Depth of logo area: 0.060"

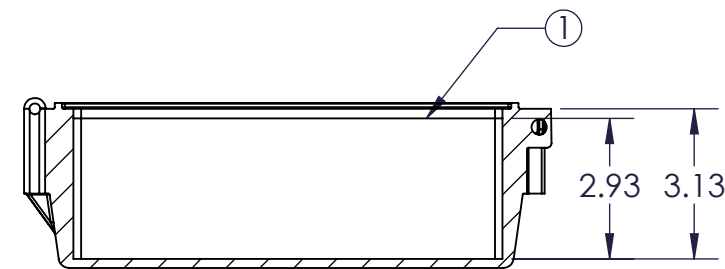
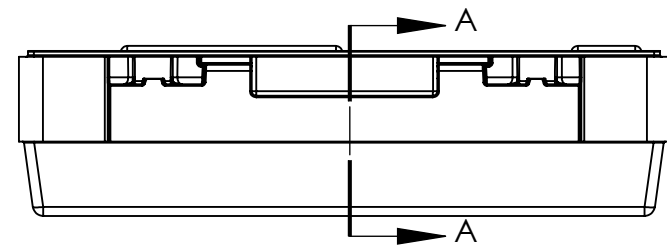
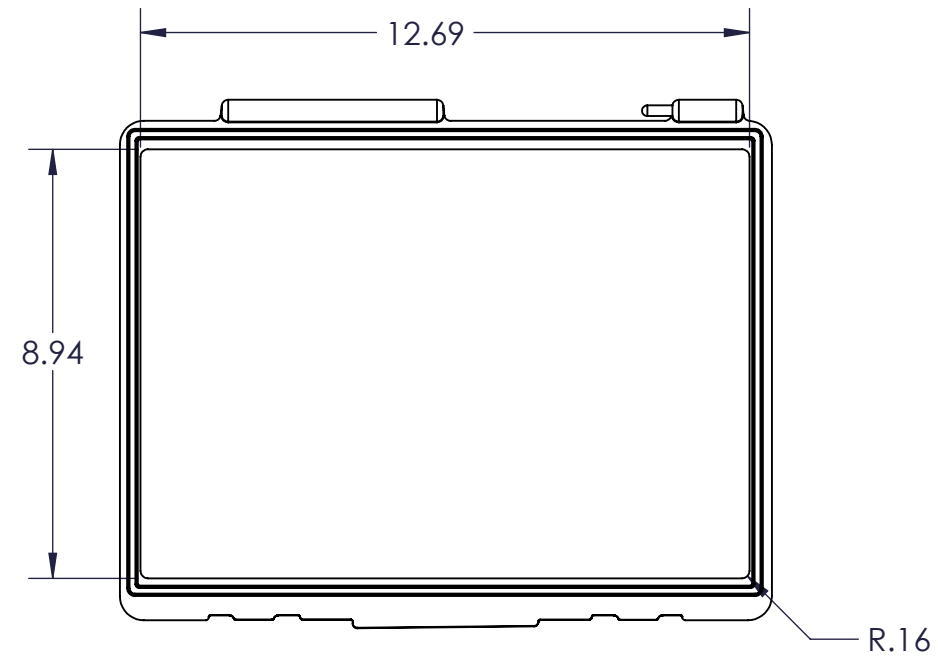
REV	ECR	DESCRIPTION	DATE	BY	APR
REVISIONS					

<b>PROPRIETARY AND CONFIDENTIAL</b> THE INFORMATION CONTAINED IN THIS DRAWING IS THE SOLE PROPERTY OF FLAMBEAU, INC. ANY REPRODUCTION IN PART OR AS A WHOLE WITHOUT THE WRITTEN PERMISSION OF FLAMBEAU, INC. IS PROHIBITED.  DIMENSIONS ARE IN INCHES TOLERANCES: FRACTIONAL $\pm 1/64$ " ANGULAR: MACH $\pm .5$ BEND $\pm$ TWO PLACE DECIMAL $\pm .040$ " THREE PLACE DECIMAL $\pm .005$ " FOUR PLACE DECIMAL $\pm .001$ "	<b>SHT</b> <b>1</b>	 <b>FLAMBEAU, INC.</b> 911 LYNN AVENUE BARABOO, WI 53913 PH.(608)356-5551	Scale: 1:4 Mold No: NA	BFI No: NA Mat'l:	Drawn By: RES Date: 1-8-17 FPN: TBD
	<b>OF</b> <b>1</b>		Description: <b>PV-5.125 BACK, TOP, RIGHT</b>		



REV	ECR	DESCRIPTION	DATE	BY	APR
REVISIONS					

<p><b>PROPRIETARY AND CONFIDENTIAL</b> THE INFORMATION CONTAINED IN THIS DRAWING IS THE SOLE PROPERTY OF FLAMBEAU, INC. ANY REPRODUCTION IN PART OR AS A WHOLE WITHOUT THE WRITTEN PERMISSION OF FLAMBEAU, INC. IS PROHIBITED.</p> <p>DIMENSIONS ARE IN INCHES TOLERANCES: FRACTIONAL <math>\pm 1/64"</math> ANGULAR: MACH <math>\pm .5</math> BEND <math>\pm</math> TWO PLACE DECIMAL <math>\pm .040"</math> THREE PLACE DECIMAL <math>\pm .005"</math> FOUR PLACE DECIMAL <math>\pm .001"</math></p>	<b>SHT</b>	<b>FLAMBEAU, INC.</b> <small>911 LYNN AVENUE BARABOO, WI 53913 PH.(608)356-5551</small>		
	<b>1</b>	Scale: 1:4	BFI No: NA	Drawn By: RES Date: 1-8-18
		Mold No: NA	Mat'l:	FPN: <b>TBD</b>
		Description:		
	<b>OF</b>	<b>PV-5.125 FRONT BOTTOM LEFT</b>		
<b>1</b>	Customer: <b>Flambeau Packaging</b>	Dwg No: <b>50026-BE</b>		



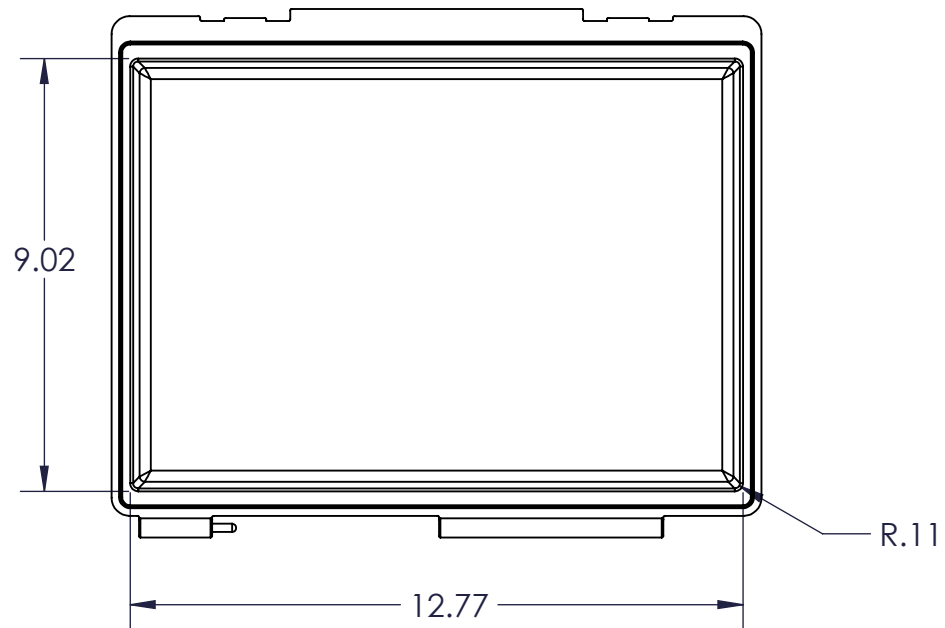
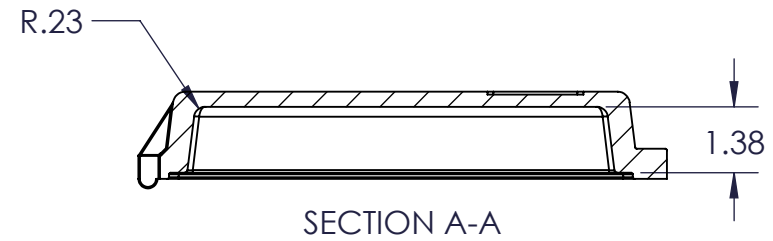
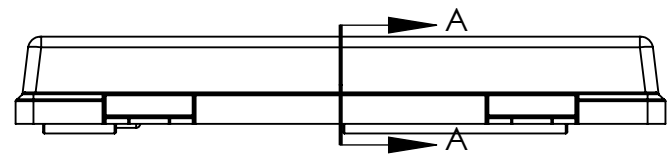
SECTION A-A

**Notes**

1. Minimum foam height
2. Drawing represents usable storage space for the base interior.
3. Flambeau recommends requesting a sample box before designing any fitted solutions such as foam interiors.


REV	ECR	DESCRIPTION	DATE	BY	APR
REVISIONS					

<b>PROPRIETARY AND CONFIDENTIAL</b> THE INFORMATION CONTAINED IN THIS DRAWING IS THE SOLE PROPERTY OF FLAMBEAU, INC. ANY REPRODUCTION IN PART OR AS A WHOLE WITHOUT THE WRITTEN PERMISSION OF FLAMBEAU, INC. IS PROHIBITED.	<b>SHT</b>	<b>FLAMBEAU, INC.</b> 911 LYNN AVENUE BARABOO, WI 53913 PH.(608)356-5551		
	<b>1</b>	Scale: 1:4	BFI No: NA	Drawn By: RES Date: 1-8-18
	<b>OF</b>	Mold No: NA	Mat'l:	FPN: <b>TBD</b>
	<b>1</b>	Description: <b>PV-5.125 BASE INTERIOR</b>		
			Customer: <b>Flambeau Packaging</b>	Dwg No: <b>50026-BI</b>



**PROPRIETARY AND CONFIDENTIAL**  
 THE INFORMATION CONTAINED IN THIS DRAWING IS THE SOLE PROPERTY OF FLAMBEAU, INC. ANY REPRODUCTION IN PART OR AS A WHOLE WITHOUT THE WRITTEN PERMISSION OF FLAMBEAU, INC. IS PROHIBITED.

DIMENSIONS ARE IN INCHES  
 TOLERANCES:  
 FRACTIONAL ±1/64"  
 ANGULAR: MACH ± .5 BEND ±  
 TWO PLACE DECIMAL ±.040"  
 THREE PLACE DECIMAL ±.005"  
 FOUR PLACE DECIMAL ±.001"

<b>SHT</b> <b>1</b>	 <b>FLAMBEAU, INC.</b> 911 LYNN AVENUE BARABOO, WI 53913 PH.(608)356-5551	
	Scale: 1:4	BFI No: NA
<b>OF</b> <b>1</b>	Mold No: NA	Mat'l:
	Description: <b>PV-5.125 LID INTERIOR</b>	
Customer: <b>Flambeau Packaging</b>		Dwg No: <b>50026-LI</b>

REV	ECR	DESCRIPTION	DATE	BY	APR
REVISIONS					