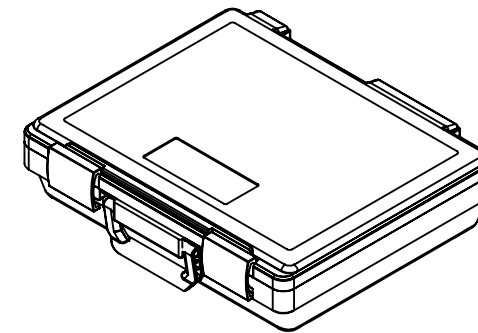
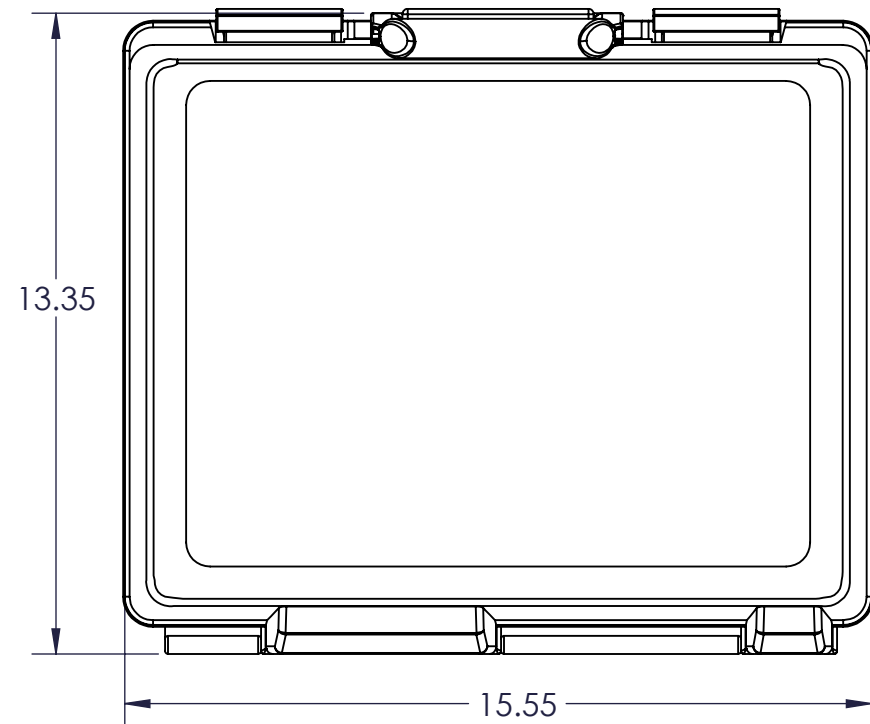
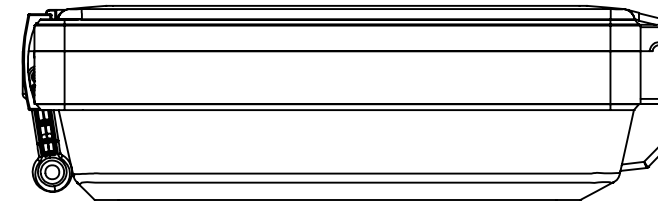
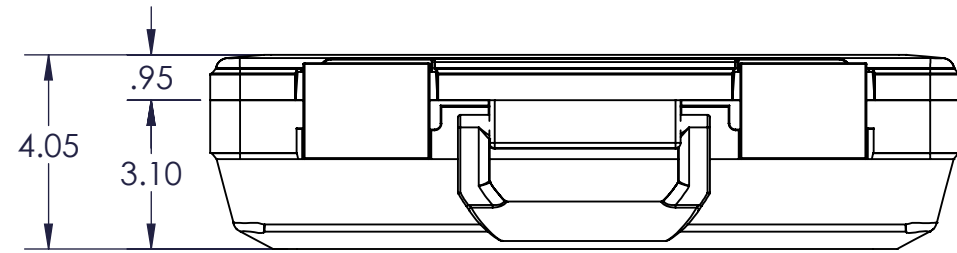



Notes
 1. Depth of logo area: .065"

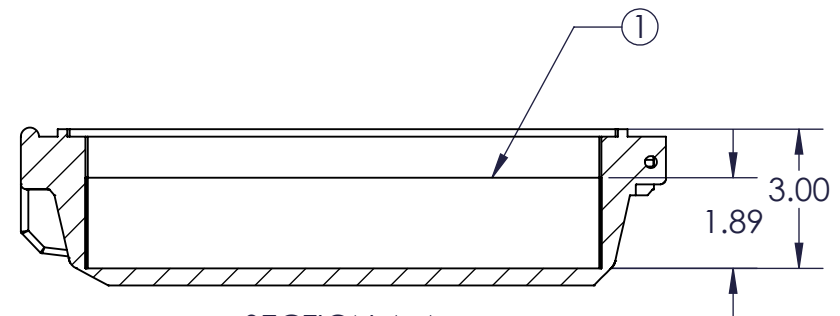
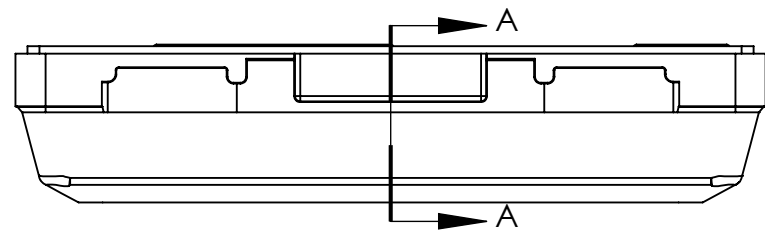
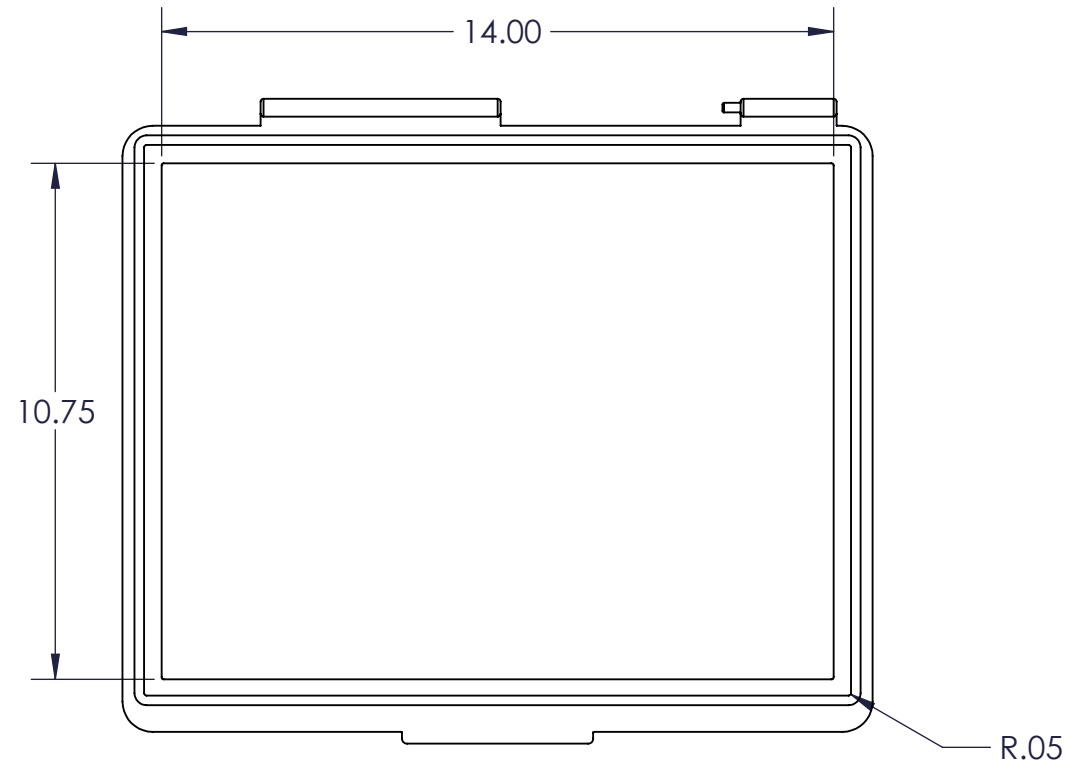
| REV | ECR | DESCRIPTION | DATE | BY | APR |
|-----------|-----|-------------|------|----|-----|
| REVISIONS | | | | | |

| | | | | |
|--|-------------------------------------|--|-------------------------|----------------------------|
| PROPRIETARY AND CONFIDENTIAL THE INFORMATION CONTAINED IN THIS DRAWING IS THE SOLE PROPERTY OF FLAMBEAU, INC. ANY REPRODUCTION IN PART OR AS A WHOLE WITHOUT THE WRITTEN PERMISSION OF FLAMBEAU, INC. IS PROHIBITED. | SHT | FLAMBEAU, INC. <small>911 LYNN AVENUE BARABOO, WI 53913 PH.(608)356-5551</small> | | |
| | 1 | Scale: 1:4 | BFI No: NA | Drawn By: RES Date: 1-9-18 |
| DIMENSIONS ARE IN INCHES TOLERANCES: FRACTIONAL ±1/64" ANGULAR: MACH ± .5 BEND ± TWO PLACE DECIMAL ±.040" THREE PLACE DECIMAL ±.005" FOUR PLACE DECIMAL ±.001" | OF | Description: | | |
| | 1 | PW-4 BACK, TOP, RIGHT | | |
| | Customer: Flambeau Packaging | | Dwg No: 50030-TE | |



| REV | ECR | DESCRIPTION | DATE | BY | APR |
|-----------|-----|-------------|------|----|-----|
| REVISIONS | | | | | |

| | | | | |
|--|---------------------------|---|---|--|
| PROPRIETARY AND CONFIDENTIAL THE INFORMATION CONTAINED IN THIS DRAWING IS THE SOLE PROPERTY OF FLAMBEAU, INC. ANY REPRODUCTION IN PART OR AS A WHOLE WITHOUT THE WRITTEN PERMISSION OF FLAMBEAU, INC. IS PROHIBITED. DIMENSIONS ARE IN INCHES TOLERANCES: FRACTIONAL $\pm 1/64$ " ANGULAR: MACH $\pm .5$ BEND \pm TWO PLACE DECIMAL $\pm .040$ " THREE PLACE DECIMAL $\pm .005$ " FOUR PLACE DECIMAL $\pm .001$ " | SHT 1 |  FLAMBEAU, INC. 911 LYNN AVENUE BARABOO, WI 53913 PH.(608)356-5551 | | |
| | Scale: 1:4 Mold No: NA | BFI No: NA Mat'l: | Drawn By: RES Date: 1-9-18 FPN: TBD | |
| OF 1 | | Description: PW-4 FRONT BOTTOM LEFT | | |
| | | Customer: Flambeau Packaging | Dwg No: 50030-BE | |

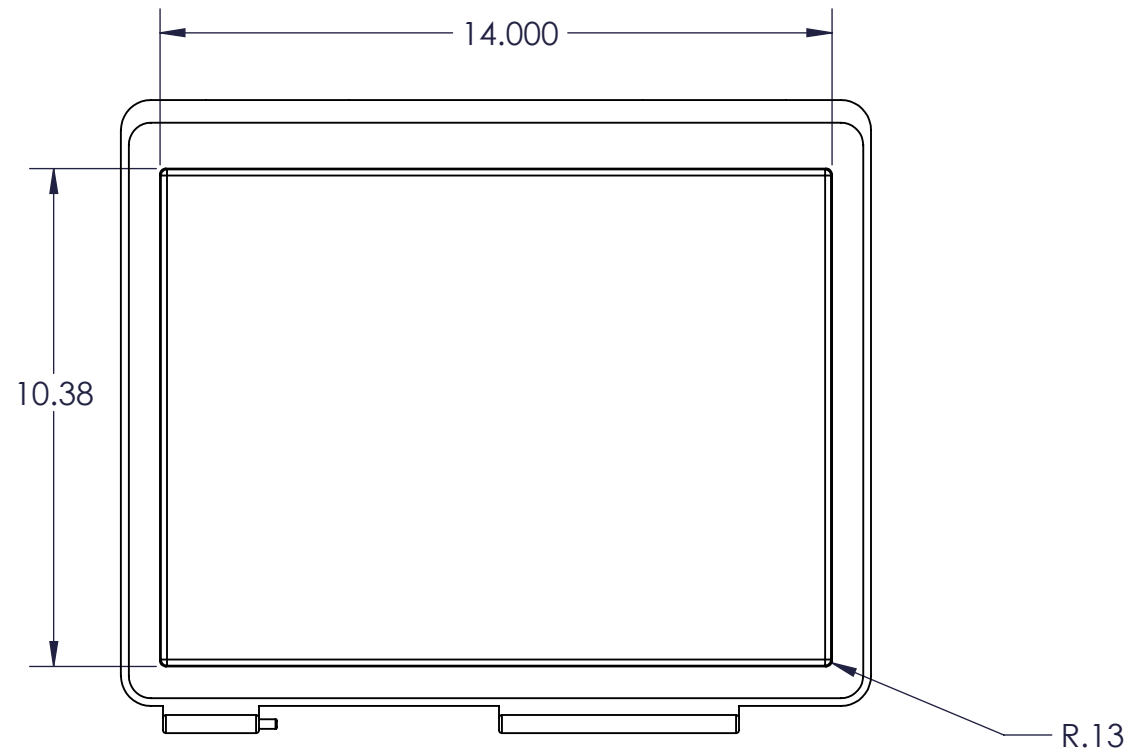
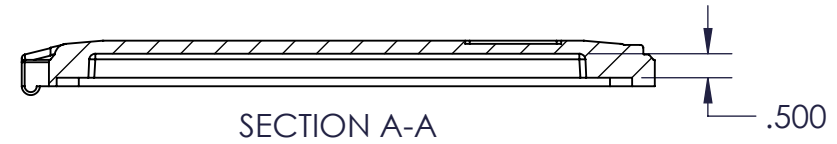
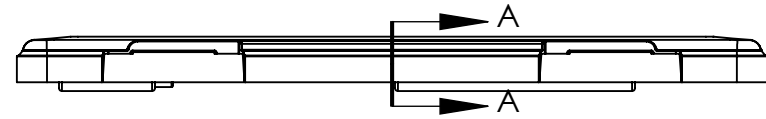


Notes

1. Minimum foam height
2. Drawing represents usable storage space for the base interior.
3. Flambeau recommends requesting a sample box before designing any fitted dunnage solution such as foam interiors.


| REV | ECR | DESCRIPTION | DATE | BY | APR |
|-----------|-----|-------------|------|----|-----|
| REVISIONS | | | | | |

| | | | | |
|--|---|--|----------------------|---|
| PROPRIETARY AND CONFIDENTIAL THE INFORMATION CONTAINED IN THIS DRAWING IS THE SOLE PROPERTY OF FLAMBEAU, INC. ANY REPRODUCTION IN PART OR AS A WHOLE WITHOUT THE WRITTEN PERMISSION OF FLAMBEAU, INC. IS PROHIBITED. | SHT 1 OF 1 | FLAMBEAU, INC. <small>911 LYNN AVENUE BARABOO, WI 53913 PH.(608)356-5551</small> | | |
| | | Scale: 1:4 Mold No: NA | BFI No: NA Mat'l: | Drawn By: RES Date: 1-5-18 FPN: TBD |
| DIMENSIONS ARE IN INCHES TOLERANCES: FRACTIONAL $\pm 1/64$ " ANGULAR: MACH $\pm .5$ BEND \pm TWO PLACE DECIMAL $\pm .040$ " THREE PLACE DECIMAL $\pm .005$ " FOUR PLACE DECIMAL $\pm .001$ " | | Description: PW-4 BASE INTERIOR Customer: Flambeau Packaging | | |
| | | Dwg No: 50030-BI | | |



PROPRIETARY AND CONFIDENTIAL
 THE INFORMATION CONTAINED IN THIS DRAWING IS THE SOLE PROPERTY OF FLAMBEAU, INC. ANY REPRODUCTION IN PART OR AS A WHOLE WITHOUT THE WRITTEN PERMISSION OF FLAMBEAU, INC. IS PROHIBITED.

DIMENSIONS ARE IN INCHES
 TOLERANCES:
 FRACTIONAL ± 1/64"
 ANGULAR: MACH ± .5 BEND ±
 TWO PLACE DECIMAL ± .040"
 THREE PLACE DECIMAL ± .005"
 FOUR PLACE DECIMAL ± .001"

| | | |
|-------------------------------------|---|----------------------------|
| SHT 1 |  FLAMBEAU, INC. 911 LYNN AVENUE BARABOO, WI 53913 PH.(608)356-5551 | |
| | Scale: 1:4 | Drawn By: RES Date: 1-9-18 |
| OF 1 | Mold No: NA | FPN: TBD |
| | Description: PW-4 LID INTERIOR | |
| Customer: Flambeau Packaging | | Dwg No: 50030-LI |

| REV | ECR | DESCRIPTION | DATE | BY | APR |
|-----------|-----|-------------|------|----|-----|
| REVISIONS | | | | | |