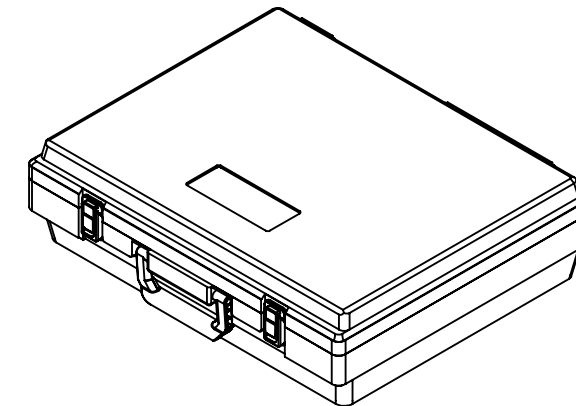
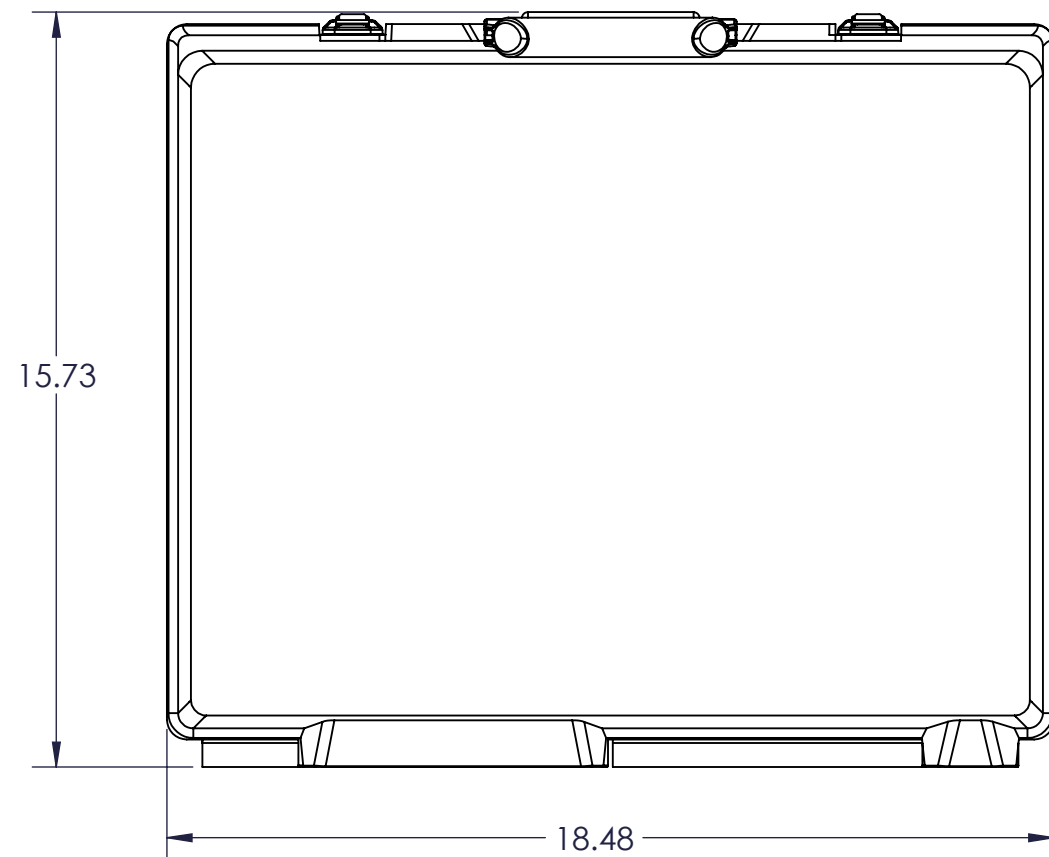
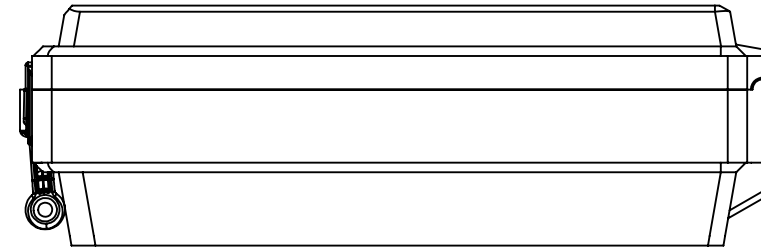
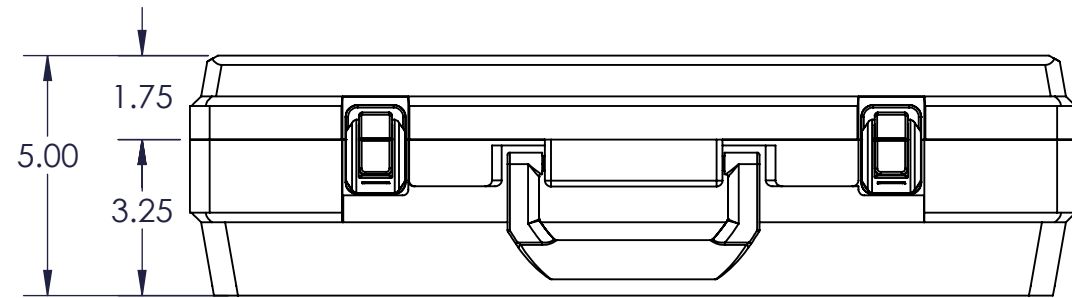


Notes  
 1. Depth of logo area: 0.010"

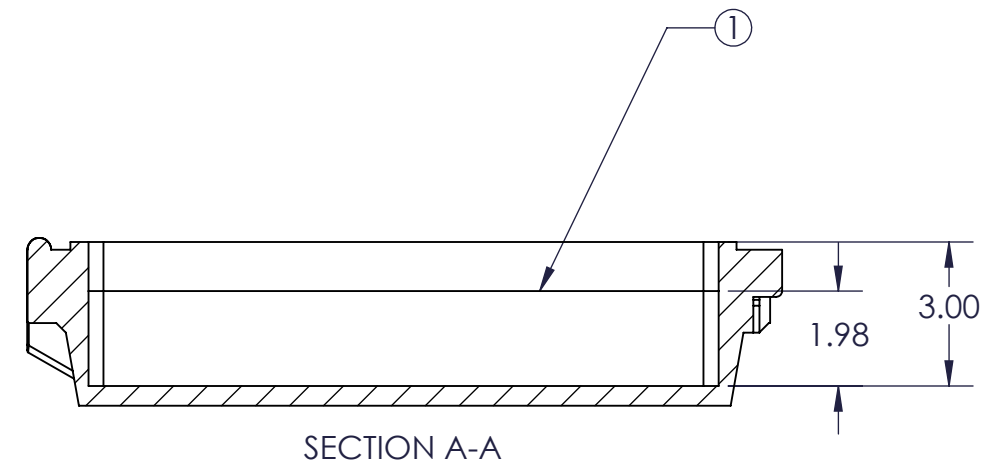
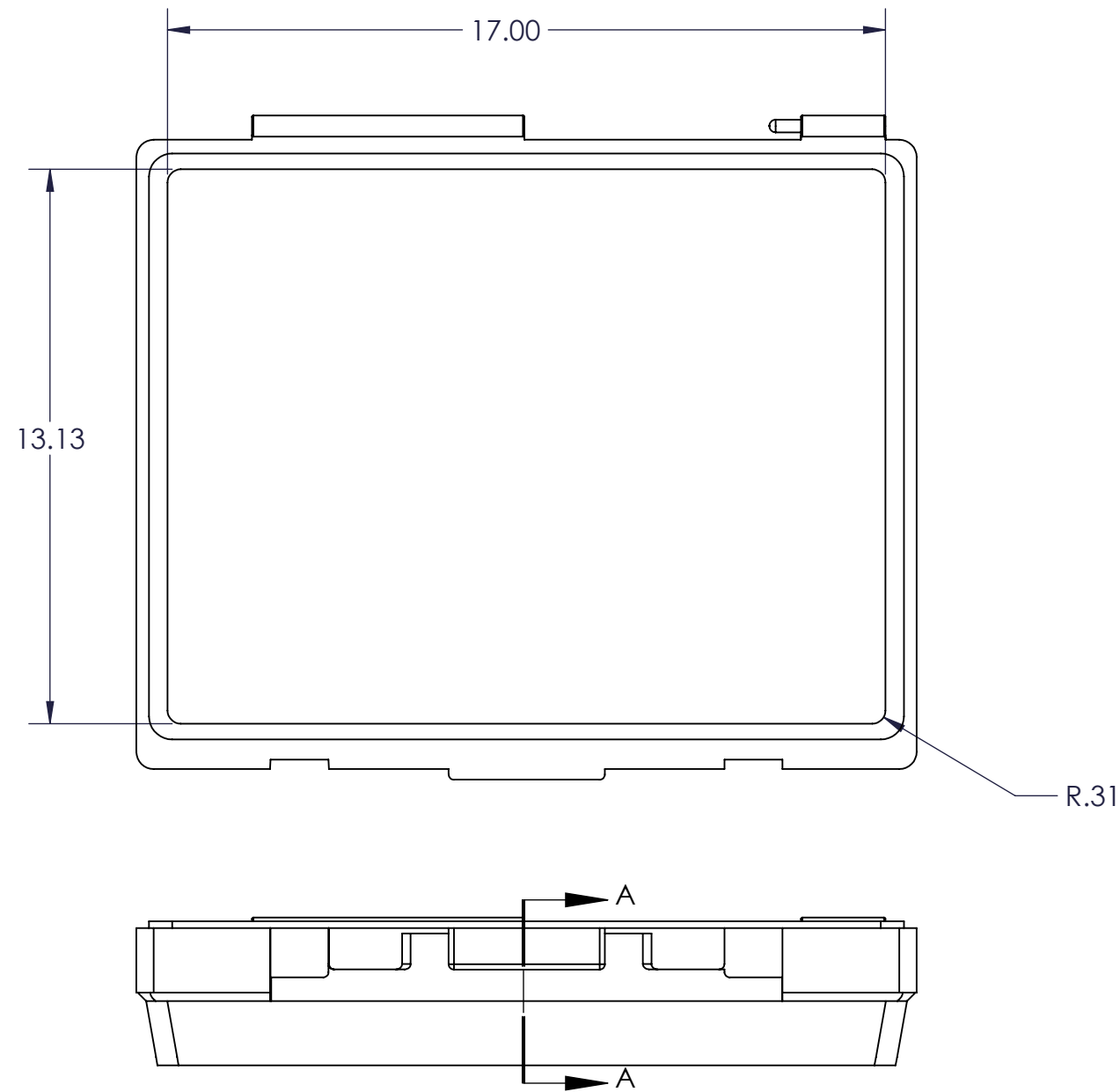
REV	ECR	DESCRIPTION	DATE	BY	APR
REVISIONS					

<b>PROPRIETARY AND CONFIDENTIAL</b> THE INFORMATION CONTAINED IN THIS DRAWING IS THE SOLE PROPERTY OF FLAMBEAU, INC. ANY REPRODUCTION IN PART OR AS A WHOLE WITHOUT THE WRITTEN PERMISSION OF FLAMBEAU, INC. IS PROHIBITED.  DIMENSIONS ARE IN INCHES TOLERANCES: FRACTIONAL ±1/64" ANGULAR: MACH ±.5 BEND ± TWO PLACE DECIMAL ±.010" THREE PLACE DECIMAL ±.005" FOUR PLACE DECIMAL ±.001"	<b>SHT</b>	<b>FLAMBEAU, INC.</b> <small>911 LYNN AVENUE BARABOO, WI 53913 PH.(608)356-5551</small>		
	<b>1</b>	Scale: 1:4	BFI No: NA	Drawn By: SLJ Date: 12-28-17
		Mold No: NA	Mat'l:	FPN: <b>TBD</b>
	<b>OF</b>	Description: <b>PX-5 BACK, TOP, RIGHT</b>		
<b>1</b>	Customer: <b>Flambeau Packaging</b>	Dwg No: <b>50050-TE</b>		



REV	ECR	DESCRIPTION	DATE	BY	APR
REVISIONS					

<p><b>PROPRIETARY AND CONFIDENTIAL</b> THE INFORMATION CONTAINED IN THIS DRAWING IS THE SOLE PROPERTY OF FLAMBEAU, INC. ANY REPRODUCTION IN PART OR AS A WHOLE WITHOUT THE WRITTEN PERMISSION OF FLAMBEAU, INC. IS PROHIBITED.</p> <p>DIMENSIONS ARE IN INCHES TOLERANCES: FRACTIONAL <math>\pm 1/64</math>" ANGULAR: MACH <math>\pm .5</math> BEND <math>\pm</math> TWO PLACE DECIMAL <math>\pm .010</math>" THREE PLACE DECIMAL <math>\pm .005</math>" FOUR PLACE DECIMAL <math>\pm .001</math>"</p>	<b>SHT</b> <b>1</b>	<b>FLAMBEAU, INC.</b> <small>911 LYNN AVENUE BARABOO, WI 53913 PH.(608)356-5551</small>		
	<b>1</b>	Scale: 1:4	BFI No: NA	Drawn By: SLJ Date: 12-28-17
	<b>OF</b>	Mold No: NA	Mat'l:	FPN: <b>TBD</b>
	<b>1</b>	Description: <b>PX-5 FRONT, BOTTOM, LEFT</b>		
		Customer: <b>Flambeau Packaging</b>	Dwg No: <b>50050-BE</b>	

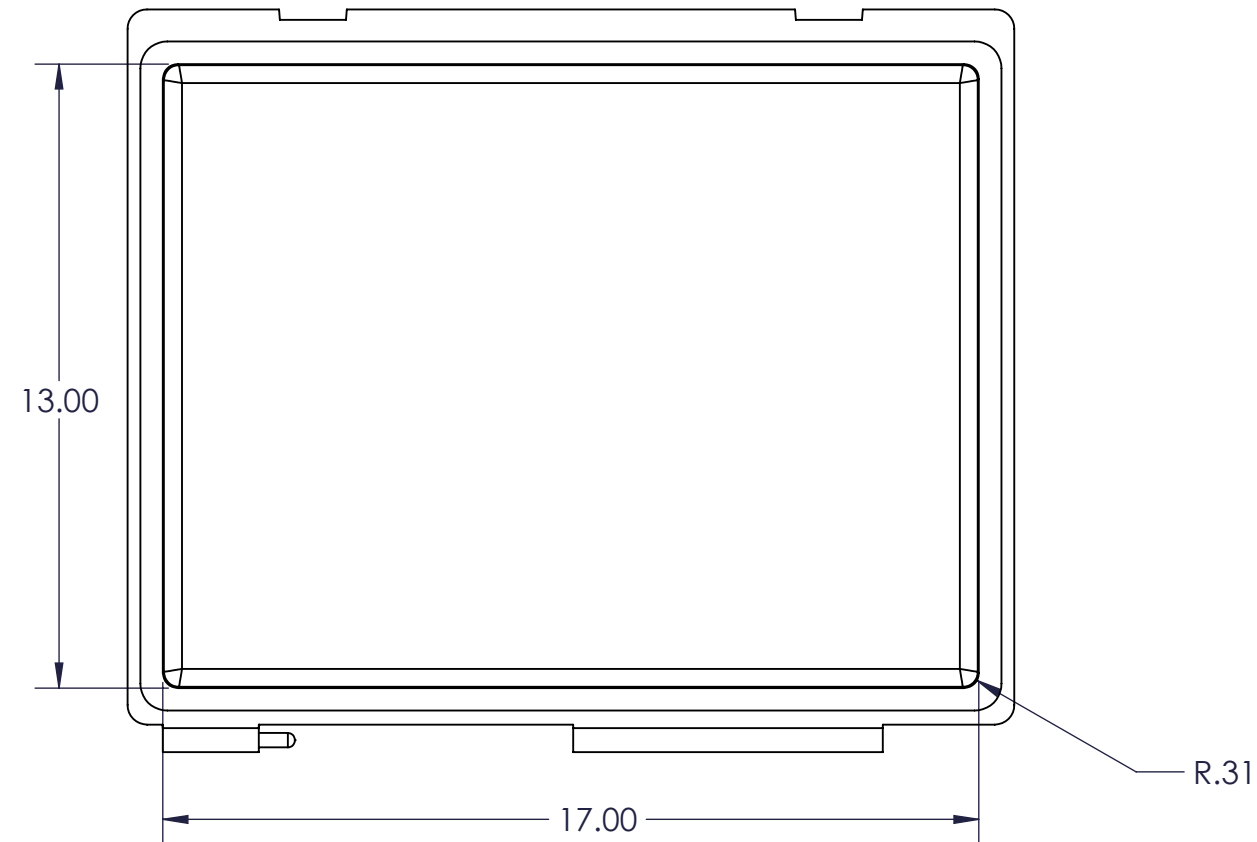
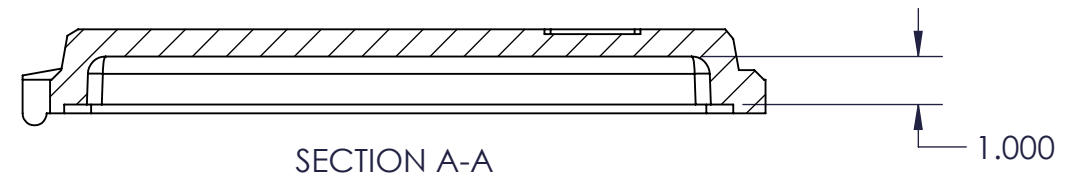
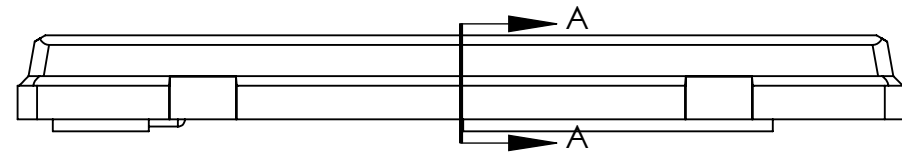


**Notes**

1. Minimum foam height
2. Drawing represents usable storage space for the base interior
3. Flambeau recommends requesting a sample box before designing any fitted duinnage solution such as foam interiors


REV	ECR	DESCRIPTION	DATE	BY	APR
REVISIONS					

<b>PROPRIETARY AND CONFIDENTIAL</b> THE INFORMATION CONTAINED IN THIS DRAWING IS THE SOLE PROPERTY OF FLAMBEAU, INC. ANY REPRODUCTION IN PART OR AS A WHOLE WITHOUT THE WRITTEN PERMISSION OF FLAMBEAU, INC. IS PROHIBITED.  DIMENSIONS ARE IN INCHES TOLERANCES: FRACTIONAL ±1/64" ANGULAR: MACH ± .5 BEND ± TWO PLACE DECIMAL ±.010" THREE PLACE DECIMAL ±.005" FOUR PLACE DECIMAL ±.001"	<b>SHT</b>	<b>FLAMBEAU, INC.</b> <small>911 LYNN AVENUE BARABOO, WI 53913 PH.(608)356-5551</small>		
	<b>1</b>	Scale: 1:4	BFI No: NA	Drawn By: SLJ Date: 1-2-18
	<b>OF</b>	Mold No: NA	Mat'l:	FPN: <b>TBD</b>
	<b>1</b>	Description: <b>PX-5 BASE INTERIOR</b>		
			Customer: <b>Flambeau Packaging</b>	Dwg No: <b>50050-BI</b>



**PROPRIETARY AND CONFIDENTIAL**  
 THE INFORMATION CONTAINED IN THIS DRAWING IS THE SOLE PROPERTY OF FLAMBEAU, INC. ANY REPRODUCTION IN PART OR AS A WHOLE WITHOUT THE WRITTEN PERMISSION OF FLAMBEAU, INC. IS PROHIBITED.

DIMENSIONS ARE IN INCHES  
 TOLERANCES:  
 FRACTIONAL  $\pm 1/64$ "  
 ANGULAR: MACH  $\pm .5$  BEND  $\pm$   
 TWO PLACE DECIMAL  $\pm .010$ "  
 THREE PLACE DECIMAL  $\pm .005$ "  
 FOUR PLACE DECIMAL  $\pm .001$ "

<b>SHT</b> <b>1</b>	 <b>FLAMBEAU, INC.</b> 911 LYNN AVENUE BARABOO, WI 53913 PH.(608)356-5551		
	Scale: 1:4	BFI No: NA	Drawn By: SLJ Date: 1-2-18
<b>OF</b> <b>1</b>	Mold No: NA	Mat'l:	FPN: <b>TBD</b>
	Description: <b>PX-5 LID INTERIOR</b>		
Customer: <b>Flambeau Packaging</b>		Dwg No: <b>50050-LI</b>	

REV	ECR	DESCRIPTION	DATE	BY	APR
REVISIONS					