
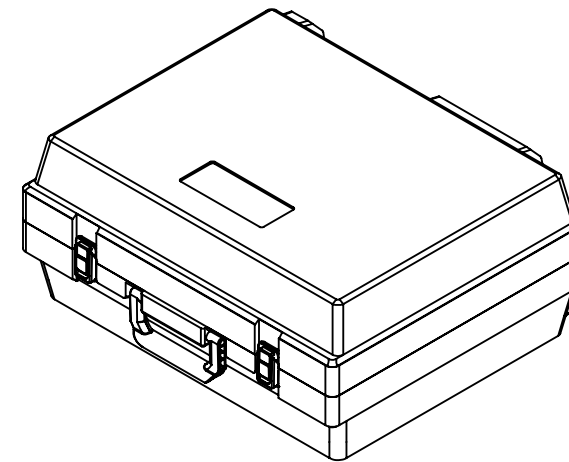
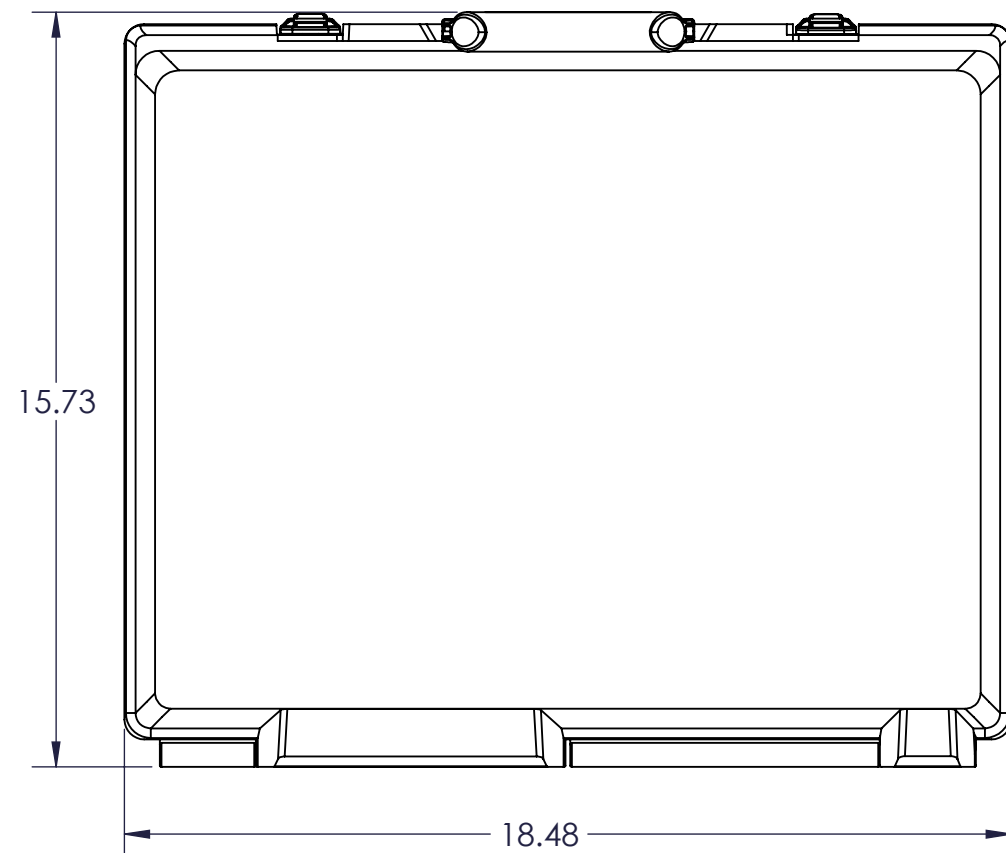
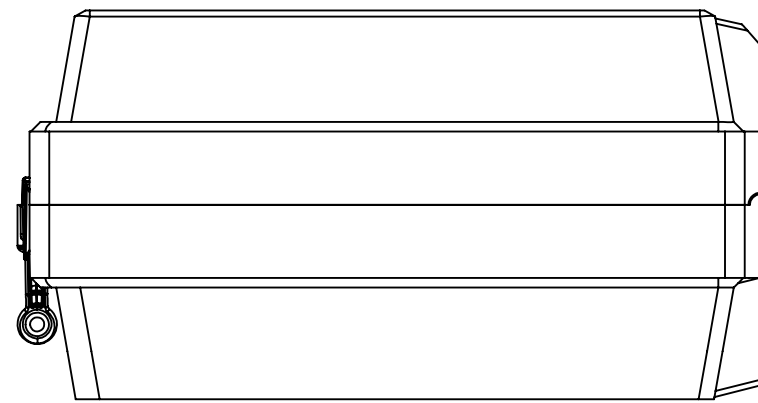
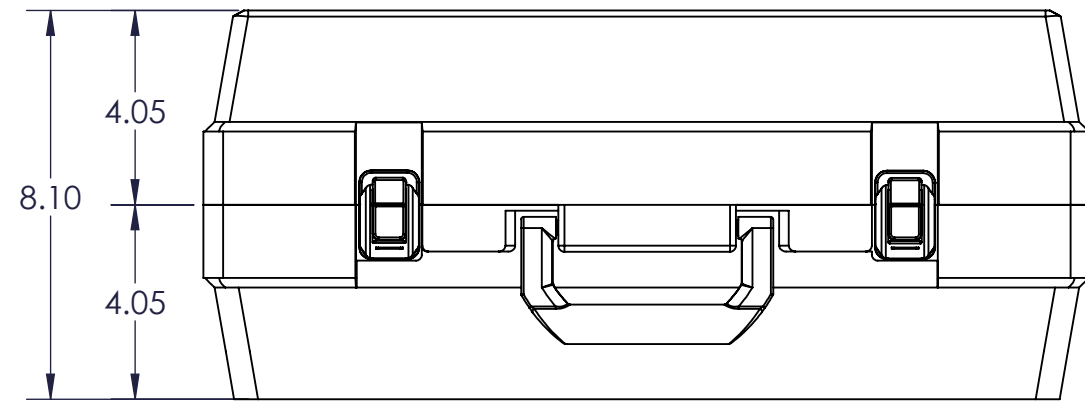


Notes
 1. Depth of logo area: 0.010"

REV	ECR	DESCRIPTION	DATE	BY	APR
REVISIONS					

PROPRIETARY AND CONFIDENTIAL THE INFORMATION CONTAINED IN THIS DRAWING IS THE SOLE PROPERTY OF FLAMBEAU, INC. ANY REPRODUCTION IN PART OR AS A WHOLE WITHOUT THE WRITTEN PERMISSION OF FLAMBEAU, INC. IS PROHIBITED. DIMENSIONS ARE IN INCHES TOLERANCES: FRACTIONAL $\pm 1/64$ " ANGULAR: MACH $\pm .5$ BEND \pm TWO PLACE DECIMAL $\pm .040$ " THREE PLACE DECIMAL $\pm .005$ " FOUR PLACE DECIMAL $\pm .001$ "	SHT 1	 FLAMBEAU, INC. 911 LYNN AVENUE BARABOO, WI 53913 PH.(608)356-5551		
	OF 1	Scale: 1:4 Mold No: NA	BFI No: NA Mat'l:	Drawn By: RES Date: 1-3-18 FPN: TBD
		Description: PX-8 BACK, TOP, RIGHT		
		Customer: Flambeau Packaging	Dwg No: 50051-TE	

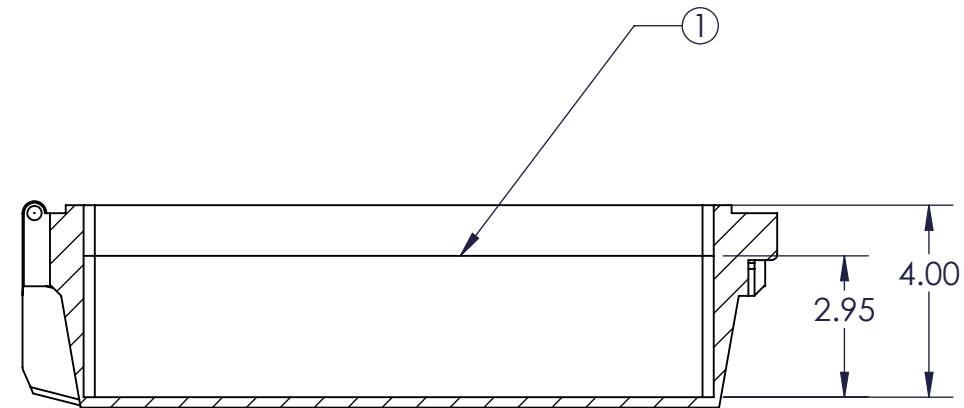
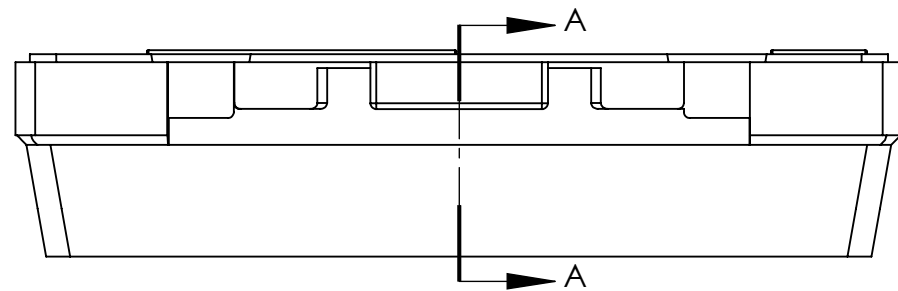
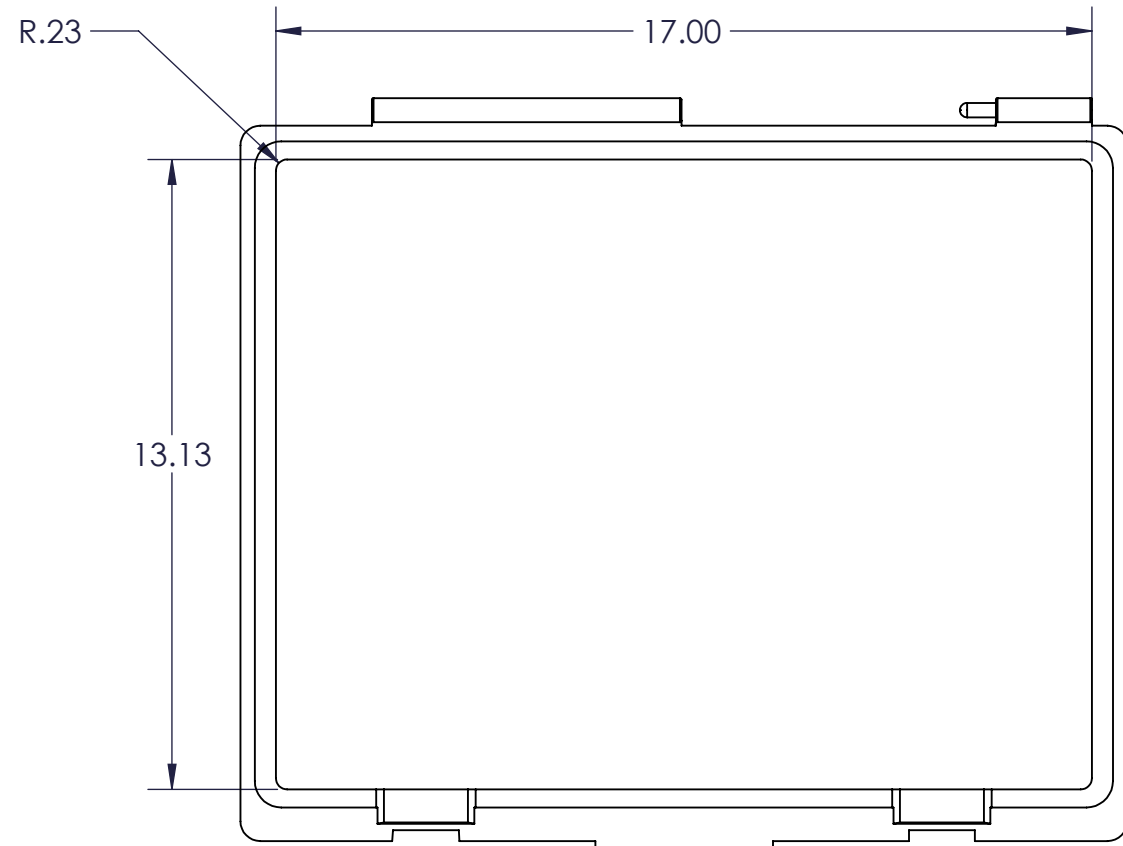


PROPRIETARY AND CONFIDENTIAL
 THE INFORMATION CONTAINED IN THIS DRAWING IS THE SOLE PROPERTY OF FLAMBEAU, INC. ANY REPRODUCTION IN PART OR AS A WHOLE WITHOUT THE WRITTEN PERMISSION OF FLAMBEAU, INC. IS PROHIBITED.

DIMENSIONS ARE IN INCHES
 TOLERANCES:
 FRACTIONAL ±1/64"
 ANGULAR: MACH ±.5 BEND ±
 TWO PLACE DECIMAL ±.040"
 THREE PLACE DECIMAL ±.005"
 FOUR PLACE DECIMAL ±.001"

SHT 1	FLAMBEAU, INC. 911 LYNN AVENUE BARABOO, WI 53913 PH.(608)356-5551		
	Scale: 1:4	BFI No: NA	Drawn By: RES Date: 1-3-18
OF 1	Mold No: NA	Mat'l:	FPN: TBD
	Description: PX-8 FRONT, BOTTOM, LEFT		
Customer: Flambeau Packaging		Dwg No: 50051-BE	

REV	ECR	DESCRIPTION	DATE	BY	APR
REVISIONS					



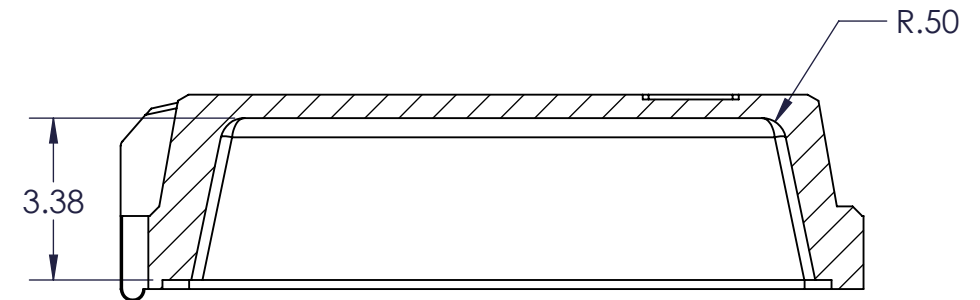
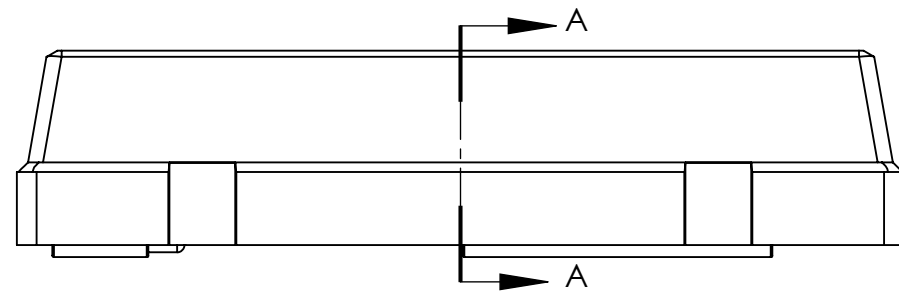
SECTION A-A

Notes

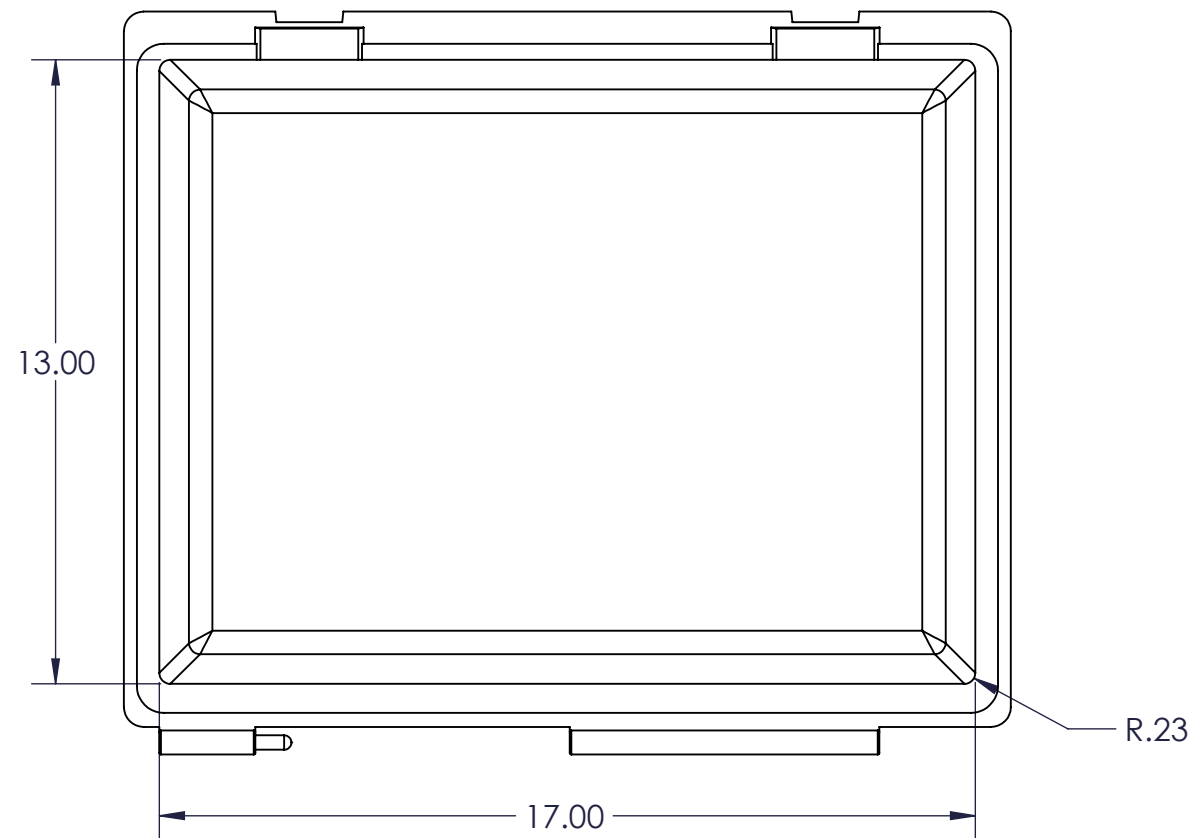
1. Minimum foam height
2. Drawing represents usable storage space for the base interior
3. Flambeau recommends requesting a sample box before designing any fitted dunnage solution such as foam interior

PROPRIETARY AND CONFIDENTIAL THE INFORMATION CONTAINED IN THIS DRAWING IS THE SOLE PROPERTY OF FLAMBEAU, INC. ANY REPRODUCTION IN PART OR AS A WHOLE WITHOUT THE WRITTEN PERMISSION OF FLAMBEAU, INC. IS PROHIBITED.	SHT 1	FLAMBEAU, INC. 911 LYNN AVENUE BARABOO, WI 53913 PH.(608)356-5551	
	1	Scale: 1:4 Mold No: NA	BFI No: NA Mat'l: Drawn By: RES Date: 1-3-18 FPN: TBD
DIMENSIONS ARE IN INCHES TOLERANCES: FRACTIONAL ±1/64" ANGULAR: MACH ± .5 BEND ± TWO PLACE DECIMAL ±.040" THREE PLACE DECIMAL ±.005" FOUR PLACE DECIMAL ±.001"	OF 1	Description: PX-8 BASE INTERIOR Customer: Flambeau Packaging	
		Dwg No: 50051-BI	

REV	ECR	DESCRIPTION	DATE	BY	APR
REVISIONS					



SECTION A-A



REV	ECR	DESCRIPTION	DATE	BY	APR
REVISIONS					

PROPRIETARY AND CONFIDENTIAL THE INFORMATION CONTAINED IN THIS DRAWING IS THE SOLE PROPERTY OF FLAMBEAU, INC. ANY REPRODUCTION IN PART OR AS A WHOLE WITHOUT THE WRITTEN PERMISSION OF FLAMBEAU, INC. IS PROHIBITED.	SHT 1	FLAMBEAU, INC. <small>911 LYNN AVENUE BARABOO, WI 53913 PH.(608)356-5551</small>		
	OF 1	Scale: 1:4 Mold No: NA	BFI No: NA Mat'l:	Drawn By: RES Date: 1-3-18 FPN: TBD
DIMENSIONS ARE IN INCHES TOLERANCES: FRACTIONAL $\pm 1/64$ " ANGULAR: MACH $\pm .5$ BEND \pm TWO PLACE DECIMAL $\pm .040$ " THREE PLACE DECIMAL $\pm .005$ " FOUR PLACE DECIMAL $\pm .001$ "		Description: PX-8 LID INTERIOR		
		Customer: Flambeau Packaging	Dwg No: 50051-LI	