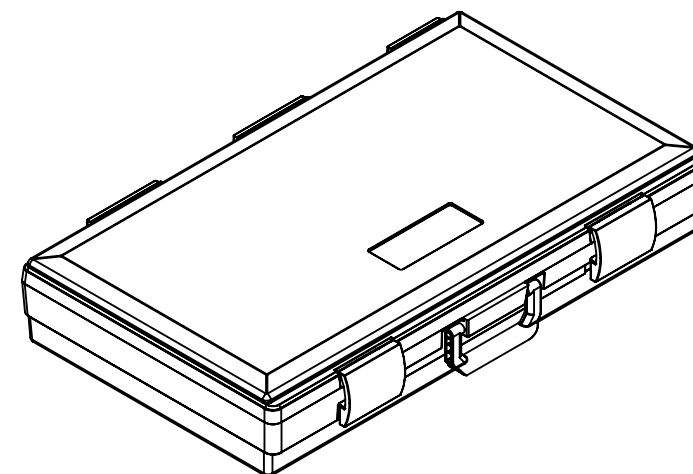
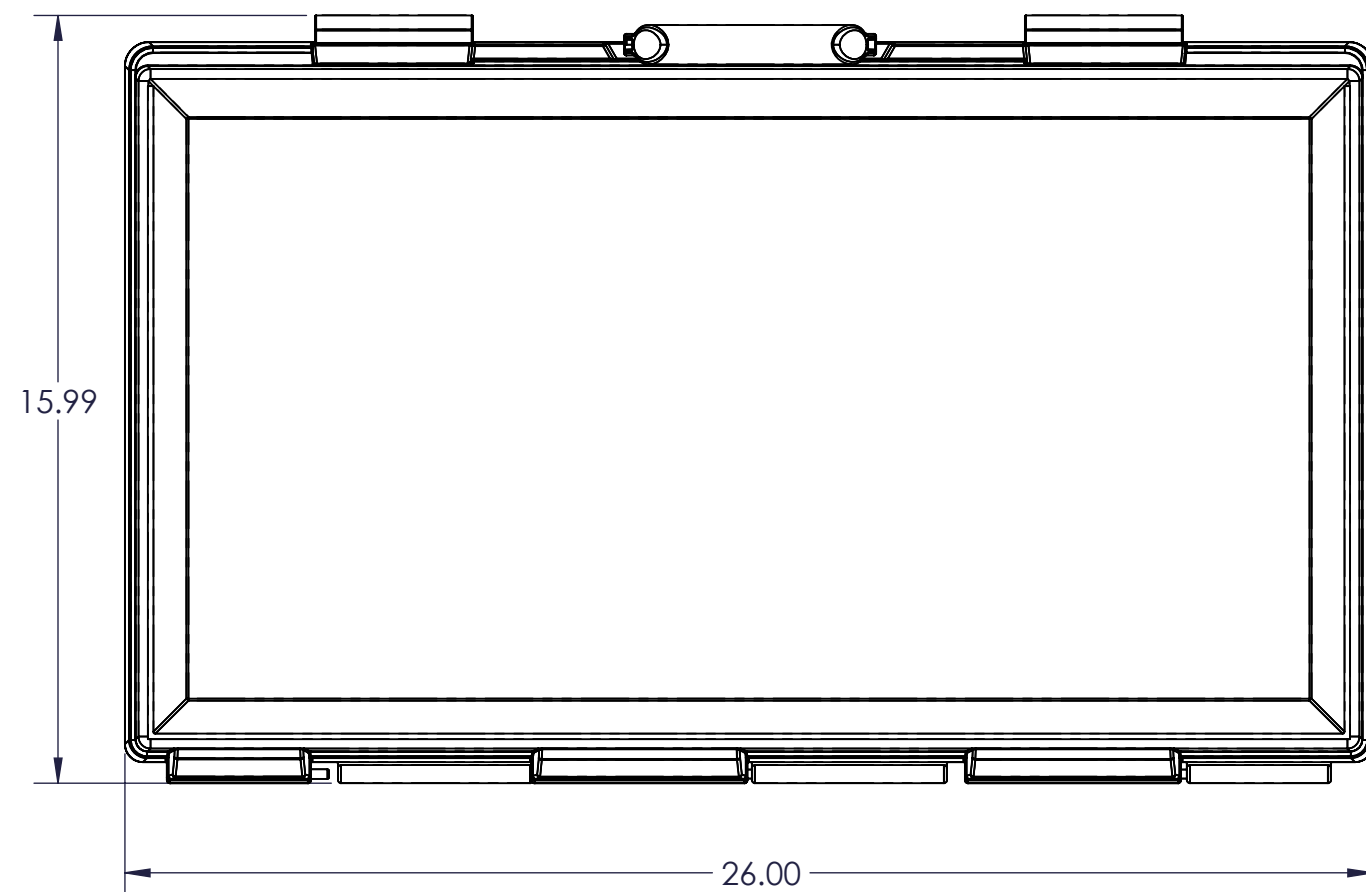
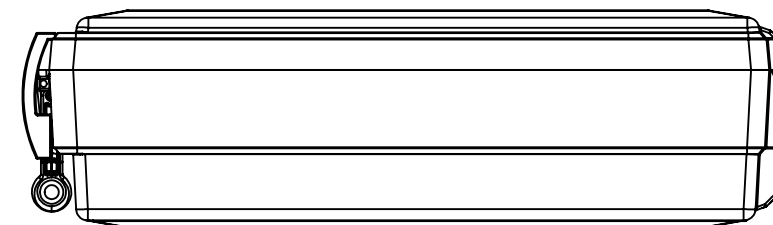
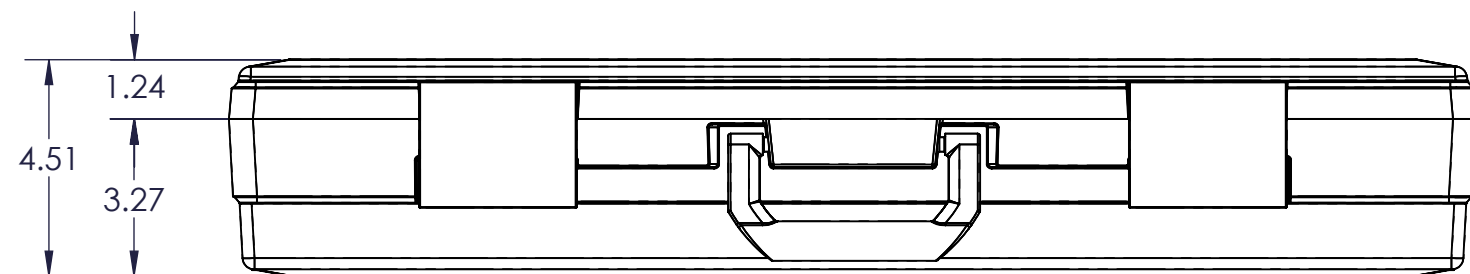


Notes


- 1. Depth of logo area: 0.010"

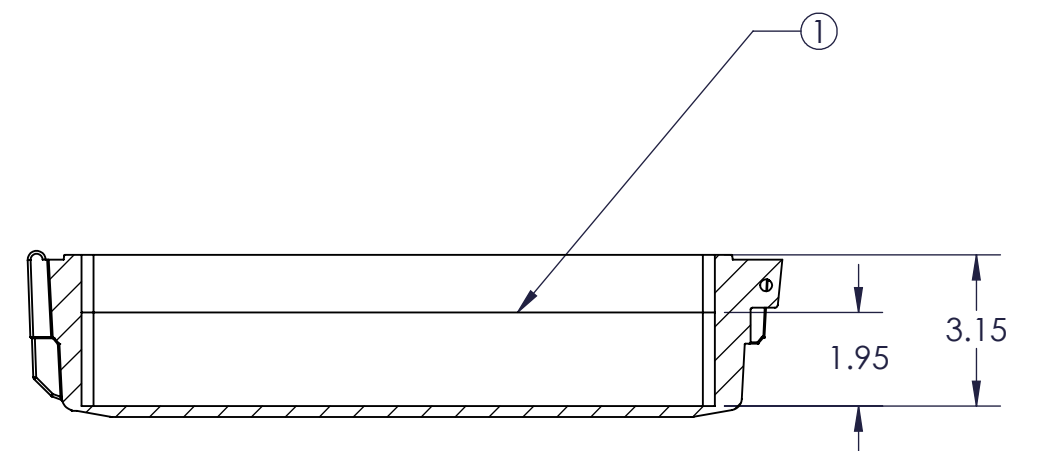
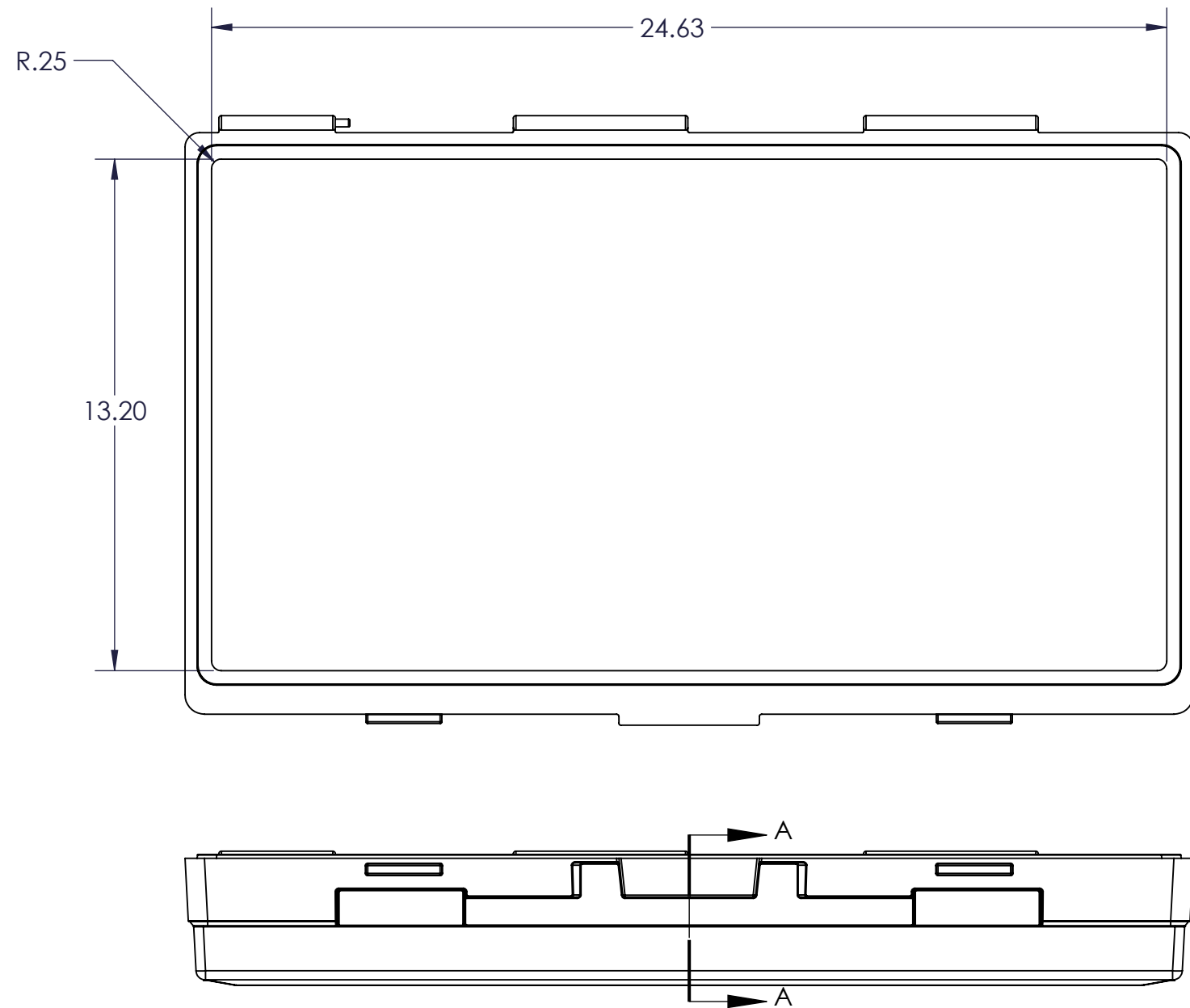
REV	ECR	DESCRIPTION	DATE	BY	APR
REVISIONS					

PROPRIETARY AND CONFIDENTIAL THE INFORMATION CONTAINED IN THIS DRAWING IS THE SOLE PROPERTY OF FLAMBEAU, INC. ANY REPRODUCTION IN PART OR AS A WHOLE WITHOUT THE WRITTEN PERMISSION OF FLAMBEAU, INC. IS PROHIBITED. DIMENSIONS ARE IN INCHES TOLERANCES: FRACTIONAL ±1/64" ANGULAR: MACH ± .5 BEND ± TWO PLACE DECIMAL ±.040" THREE PLACE DECIMAL ±.005" FOUR PLACE DECIMAL ±.001"	SHT	FLAMBEAU, INC. <small>911 LYNN AVENUE BARABOO, WI 53913 PH.(608)356-5551</small>		
	1	Scale: 1:4	BFI No: NA	Drawn By: SLJ Date: 12-1-17
		Mold No: NA	Mat'l:	FPN: TBD
	OF	Description: PZ-4.5 BACK, TOP, RIGHT		
1	Customer: Flambeau Packaging	Dwg No: 50045-TE		



REV	ECR	DESCRIPTION	DATE	BY	APR
REVISIONS					

PROPRIETARY AND CONFIDENTIAL THE INFORMATION CONTAINED IN THIS DRAWING IS THE SOLE PROPERTY OF FLAMBEAU, INC. ANY REPRODUCTION IN PART OR AS A WHOLE WITHOUT THE WRITTEN PERMISSION OF FLAMBEAU, INC. IS PROHIBITED.	SHT 1	 FLAMBEAU, INC. <small>911 LYNN AVENUE BARABOO, WI 53913 PH.(608)356-5551</small>	
	Scale: 1:4 Mold No: NA	BFI No: NA Mat'l:	Drawn By: SLJ Date: 12-1-17 FPN: TBD
DIMENSIONS ARE IN INCHES TOLERANCES: FRACTIONAL $\pm 1/64$ " ANGULAR: MACH $\pm .5$ BEND \pm TWO PLACE DECIMAL $\pm .040$ " THREE PLACE DECIMAL $\pm .005$ " FOUR PLACE DECIMAL $\pm .001$ "	OF 1	Description: PZ-4.5 FRONT BOTTOM LEFT	
		Customer: Flambeau Packaging	Dwg No: 50045-BE



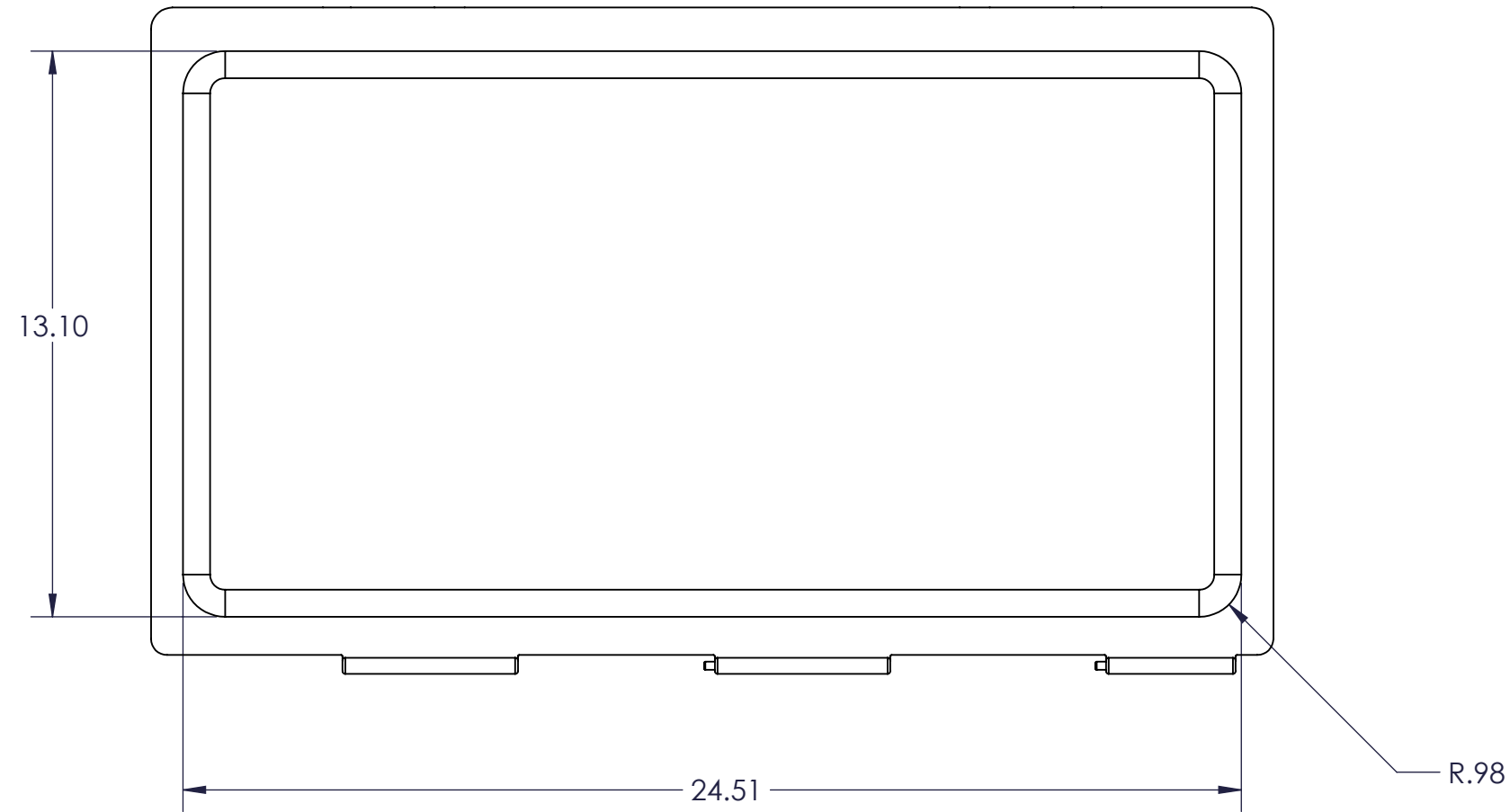
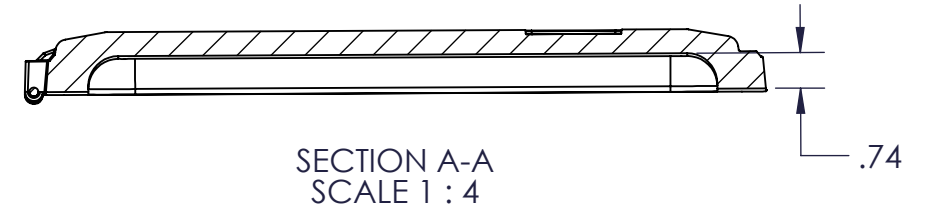
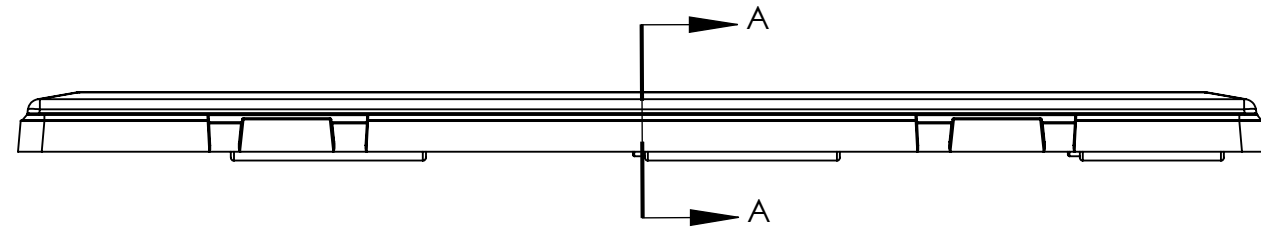
SECTION A-A
SCALE 1 : 4

Notes

1. Minimum foam height
2. Drawing represents usable storage space for the base interior.
3. Flambeau recommends requesting a sample box before designing any fitted dunnage solution such as foam interiors.

REV	ECR	DESCRIPTION	DATE	BY	APR
REVISIONS					

PROPRIETARY AND CONFIDENTIAL THE INFORMATION CONTAINED IN THIS DRAWING IS THE SOLE PROPERTY OF FLAMBEAU, INC. ANY REPRODUCTION IN PART OR AS A WHOLE WITHOUT THE WRITTEN PERMISSION OF FLAMBEAU, INC. IS PROHIBITED. DIMENSIONS ARE IN INCHES TOLERANCES: FRACTIONAL ±1/64" ANGULAR: MACH ± .5 BEND ± TWO PLACE DECIMAL ±.040" THREE PLACE DECIMAL ±.005" FOUR PLACE DECIMAL ±.001"	SHT	FLAMBEAU, INC. <small>911 LYNN AVENUE BARABOO, WI 53913 PH.(608)356-5551</small>		
	1	Scale: 1:4	BFI No: NA	Drawn By: SLJ Date: 12-1-17
	OF	Mold No: NA	Mat'l:	FPN: TBD
	1	Description: PZ-4.5 BASE INTERIOR		
		Customer: Flambeau Packaging	Dwg No: 50045-BI	



PROPRIETARY AND CONFIDENTIAL THE INFORMATION CONTAINED IN THIS DRAWING IS THE SOLE PROPERTY OF FLAMBEAU, INC. ANY REPRODUCTION IN PART OR AS A WHOLE WITHOUT THE WRITTEN PERMISSION OF FLAMBEAU, INC. IS PROHIBITED.	SHT 1	FLAMBEAU, INC. <small>911 LYNN AVENUE BARABOO, WI 53913 PH.(608)356-5551</small>	
	1	Scale: 1:4 Mold No: NA	BFI No: NA Mat'l: Drawn By: SLJ Date: 12-1-17 FPN: TBD
DIMENSIONS ARE IN INCHES TOLERANCES: FRACTIONAL $\pm 1/64$ " ANGULAR: MACH $\pm .5$ BEND \pm TWO PLACE DECIMAL $\pm .040$ " THREE PLACE DECIMAL $\pm .005$ " FOUR PLACE DECIMAL $\pm .001$ "	OF 1	Description: PZ-4.5 LID INTERIOR Customer: Flambeau Packaging	
		Dwg No: 50045-LI	

REV	ECR	DESCRIPTION	DATE	BY	APR
REVISIONS					