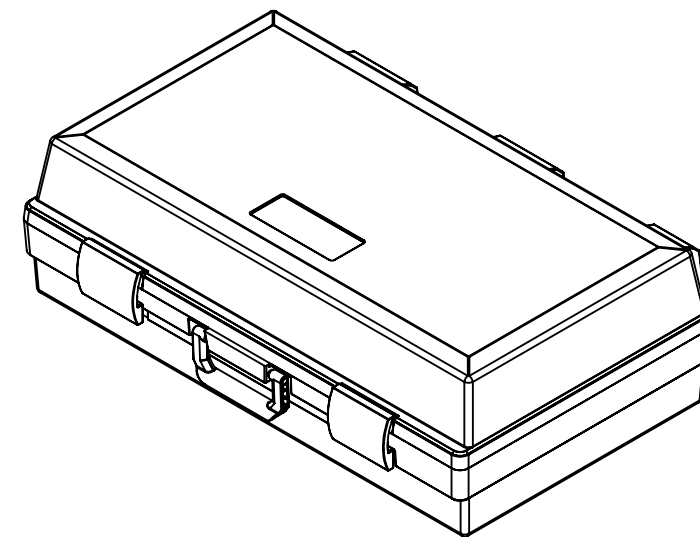
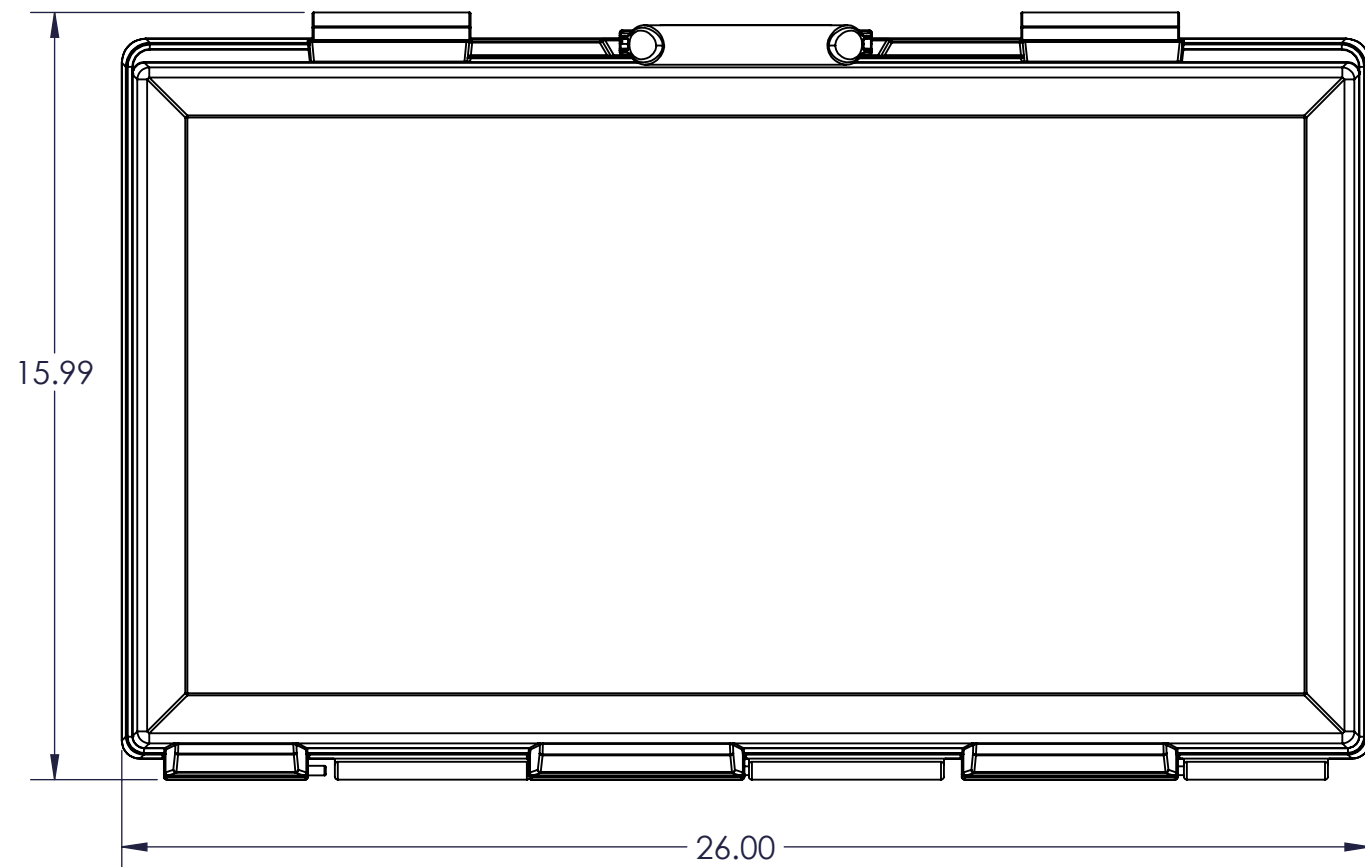
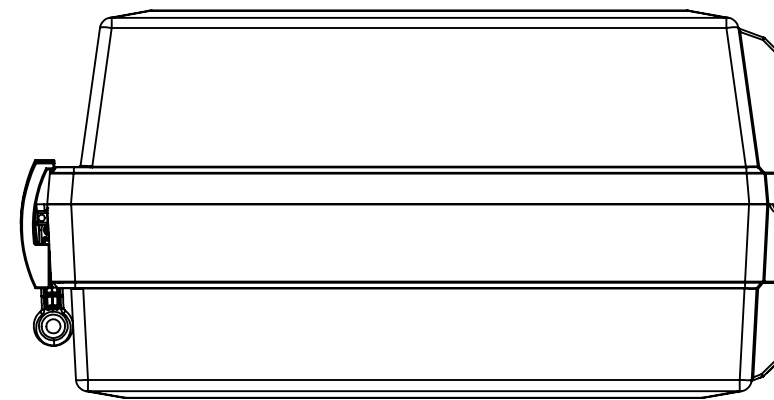
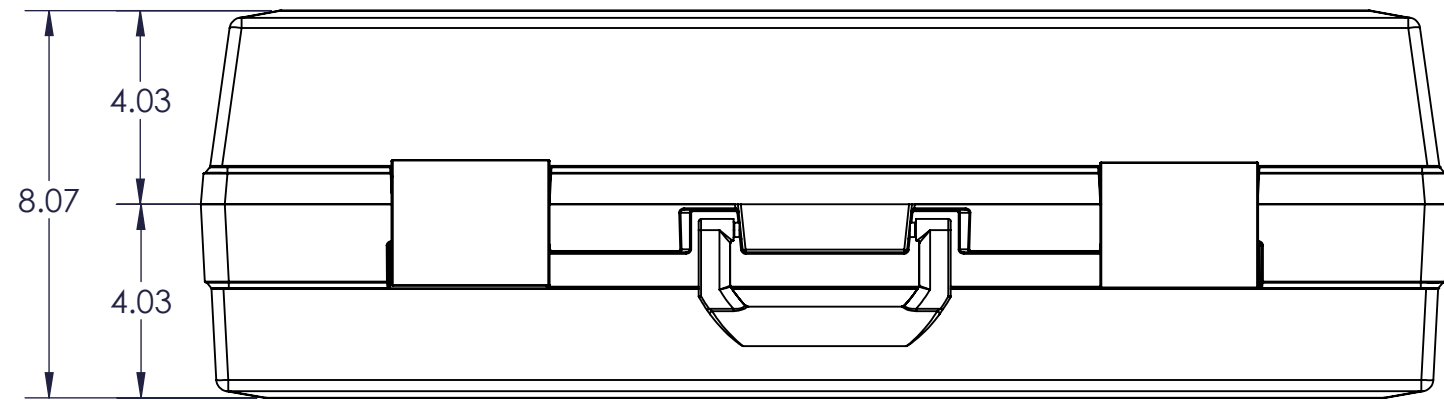


Notes
 1. Depth of logo area: 0.010"

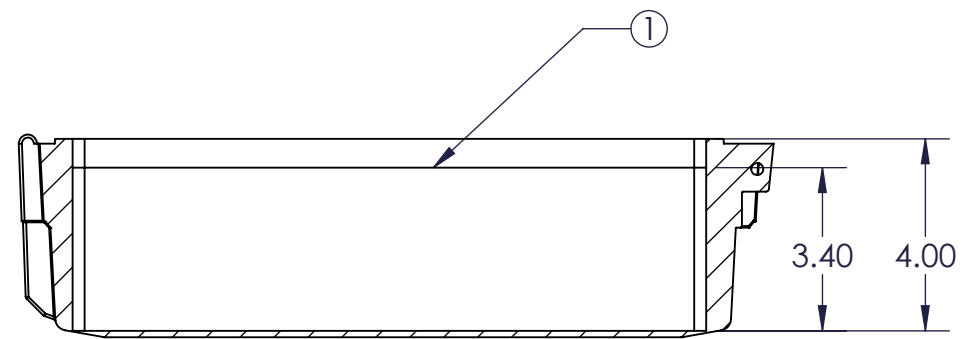
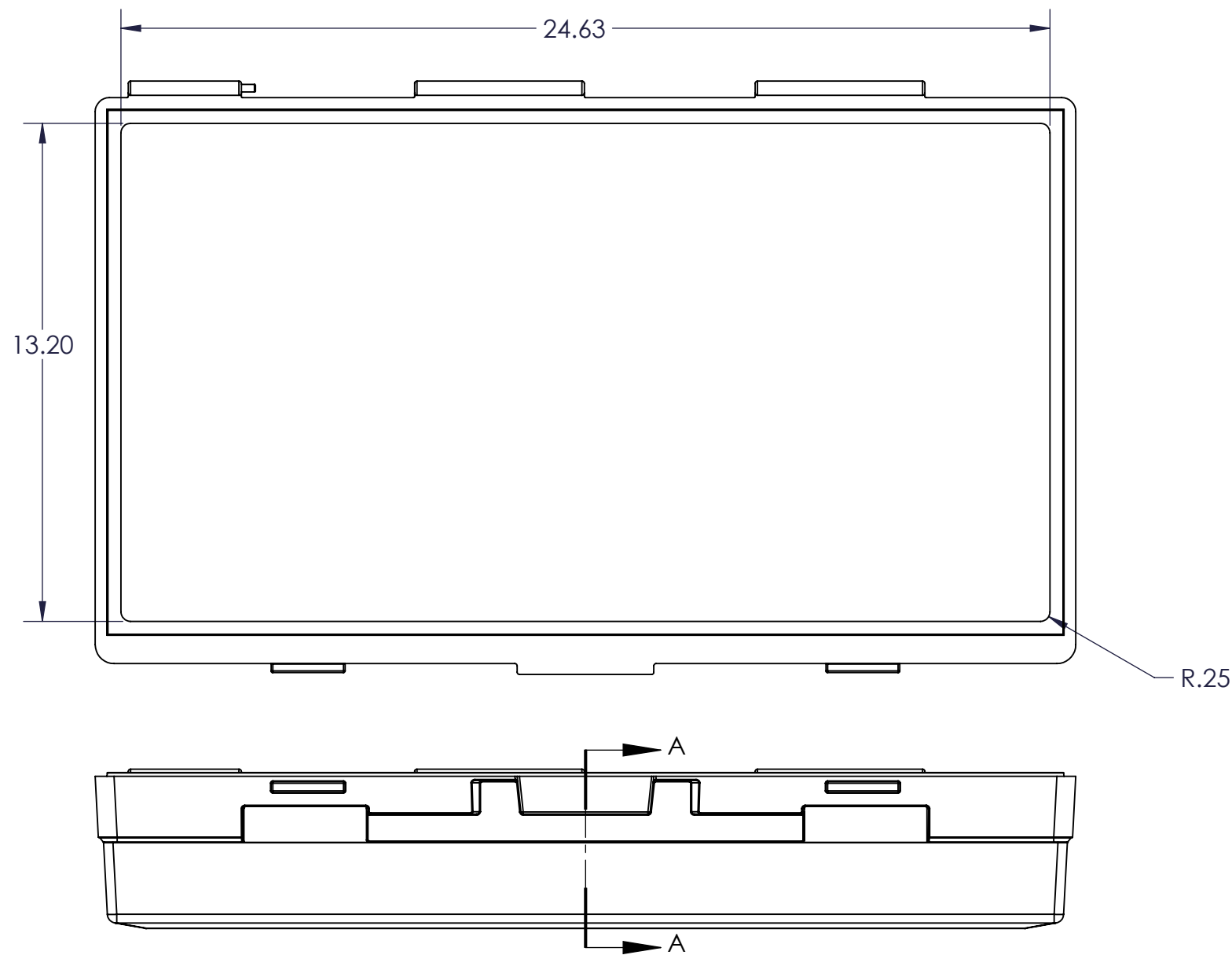
| | | | | |
|--|---------------------------------------|---|--|-------------------------|
| PROPRIETARY AND CONFIDENTIAL THE INFORMATION CONTAINED IN THIS DRAWING IS THE SOLE PROPERTY OF FLAMBEAU, INC. ANY REPRODUCTION IN PART OR AS A WHOLE WITHOUT THE WRITTEN PERMISSION OF FLAMBEAU, INC. IS PROHIBITED. DIMENSIONS ARE IN INCHES TOLERANCES: FRACTIONAL $\pm 1/64$ " ANGULAR: MACH $\pm .5$ BEND \pm TWO PLACE DECIMAL $\pm .040$ " THREE PLACE DECIMAL $\pm .005$ " FOUR PLACE DECIMAL $\pm .001$ " | SHT | FLAMBEAU, INC. 911 LYNN AVENUE BARABOO, WI 53913 PH.(608)356-5551 | | |
| | 1 Scale: 1:4 Mold No: NA | BFI No: NA Mat'l: | Drawn By: RES Date: 1-3-18 FPN: TBD | |
| | OF | Description: PZ-8 BACK, TOP, RIGHT | | |
| | 1 Customer: | Flambeau Packaging | | Dwg No: 50088-TE |

| REV | ECR | DESCRIPTION | DATE | BY | APR |
|-----------|-----|-------------|------|----|-----|
| REVISIONS | | | | | |



| REV | ECR | DESCRIPTION | DATE | BY | APR |
|-----------|-----|-------------|------|----|-----|
| REVISIONS | | | | | |

| | | | | |
|--|-----|--|-------------------------|----------------------------|
| PROPRIETARY AND CONFIDENTIAL THE INFORMATION CONTAINED IN THIS DRAWING IS THE SOLE PROPERTY OF FLAMBEAU, INC. ANY REPRODUCTION IN PART OR AS A WHOLE WITHOUT THE WRITTEN PERMISSION OF FLAMBEAU, INC. IS PROHIBITED. DIMENSIONS ARE IN INCHES TOLERANCES: FRACTIONAL $\pm 1/64$ " ANGULAR: MACH $\pm .5$ BEND \pm TWO PLACE DECIMAL $\pm .040$ " THREE PLACE DECIMAL $\pm .005$ " FOUR PLACE DECIMAL $\pm .001$ " | SHT | FLAMBEAU, INC. <small>911 LYNN AVENUE BARABOO, WI 53913 PH.(608)356-5551</small> | | |
| | 1 | Scale: 1:4 | BFI No: NA | Drawn By: RES Date: 1-3-18 |
| | OF | Mold No: NA | Mat'l: | FPN: TBD |
| | 1 | Description: PZ-8 FRONT BOTTOM LEFT | | |
| | | Customer: Flambeau Packaging | Dwg No: 50088-BE | |



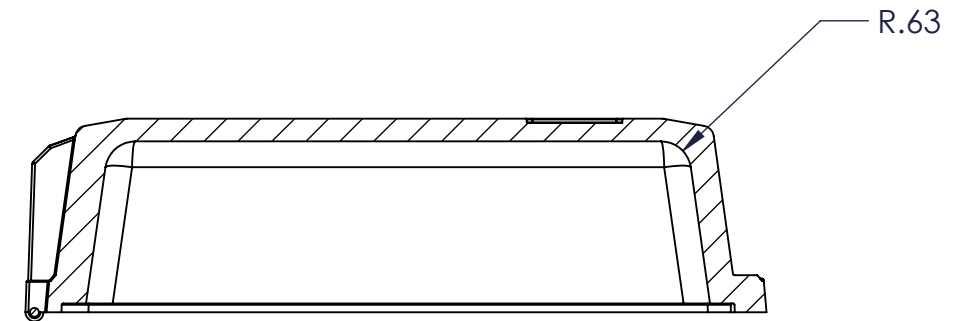
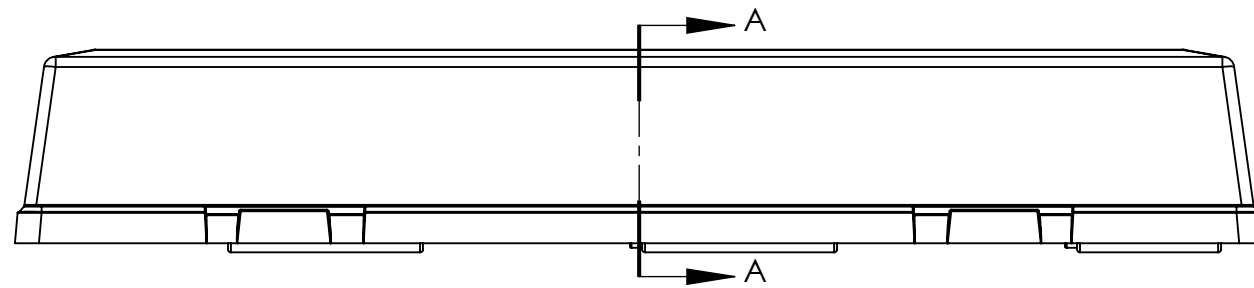
SECTION A-A
SCALE 1 : 4

Notes

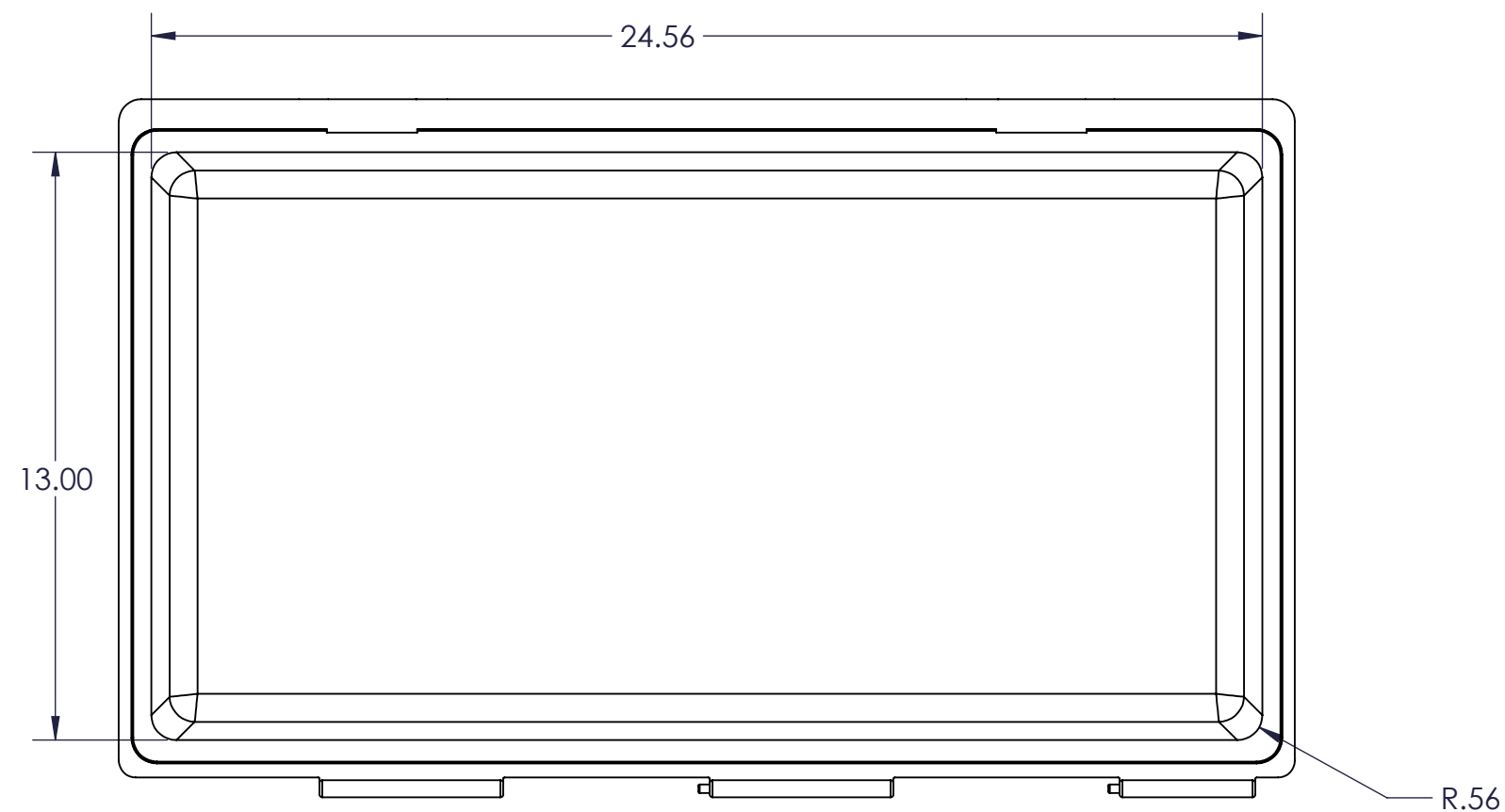
1. Minimum foam height
2. Drawing represents usable storage space for the base interior
3. Flambeau recommends requesting a sample box before desinging any fitted dunnage solution such as foam interior

| REV | ECR | DESCRIPTION | DATE | BY | APR |
|-----------|-----|-------------|------|----|-----|
| REVISIONS | | | | | |

| | | | | |
|--|------------|--|------------|----------------------------|
| PROPRIETARY AND CONFIDENTIAL THE INFORMATION CONTAINED IN THIS DRAWING IS THE SOLE PROPERTY OF FLAMBEAU, INC. ANY REPRODUCTION IN PART OR AS A WHOLE WITHOUT THE WRITTEN PERMISSION OF FLAMBEAU, INC. IS PROHIBITED. | SHT | FLAMBEAU, INC. <small>911 LYNN AVENUE BARABOO, WI 53913 PH.(608)356-5551</small> | | |
| | 1 | Scale: 1:4 | BFI No: NA | Drawn By: RES Date: 1-3-18 |
| DIMENSIONS ARE IN INCHES TOLERANCES: FRACTIONAL ±1/64" ANGULAR: MACH ± .5 BEND ± TWO PLACE DECIMAL ±.040" THREE PLACE DECIMAL ±.005" FOUR PLACE DECIMAL ±.001" | OF | Description: PZ-8 BASE INTERIOR | | |
| | 1 | Customer: Flambeau Packaging | | Dwg No: 50088-BI |
| | | | | |



SECTION A-A
SCALE 1 : 4



PROPRIETARY AND CONFIDENTIAL
THE INFORMATION CONTAINED IN THIS DRAWING IS THE SOLE PROPERTY OF FLAMBEAU, INC. ANY REPRODUCTION IN PART OR AS A WHOLE WITHOUT THE WRITTEN PERMISSION OF FLAMBEAU, INC. IS PROHIBITED.

DIMENSIONS ARE IN INCHES
TOLERANCES:
FRACTIONAL $\pm 1/64$ "
ANGULAR: MACH $\pm .5$ BEND \pm
TWO PLACE DECIMAL $\pm .040$ "
THREE PLACE DECIMAL $\pm .005$ "
FOUR PLACE DECIMAL $\pm .001$ "

| | | | |
|-------------------------------------|---|-------------------------|----------------------------|
| SHT 1 | FLAMBEAU, INC. 911 LYNN AVENUE BARABOO, WI 53913 PH.(608)356-5551 | | |
| | Scale: 1:4 | BFI No: NA | Drawn By: RES Date: 1-3-18 |
| OF 1 | Mold No: NA | Mat'l: | FPN: TBD |
| | Description: PZ-8 LID INTERIOR | | |
| Customer: Flambeau Packaging | | Dwg No: 50088-LI | |

| REV | ECR | DESCRIPTION | DATE | BY | APR |
|-----------|-----|-------------|------|----|-----|
| REVISIONS | | | | | |