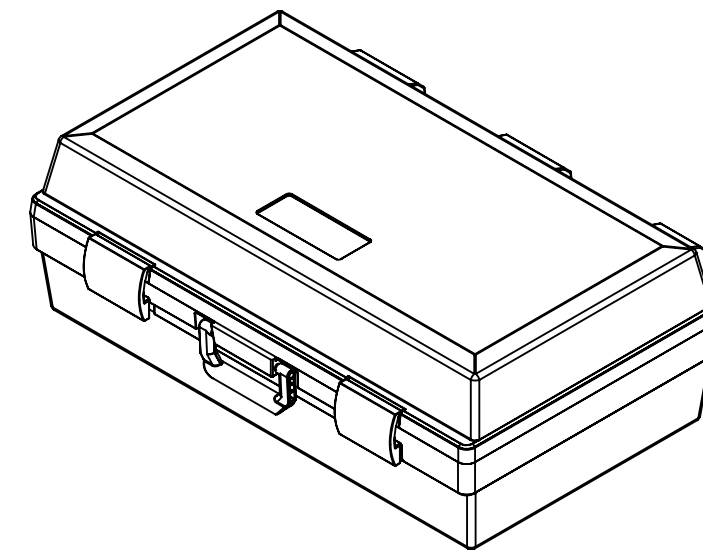
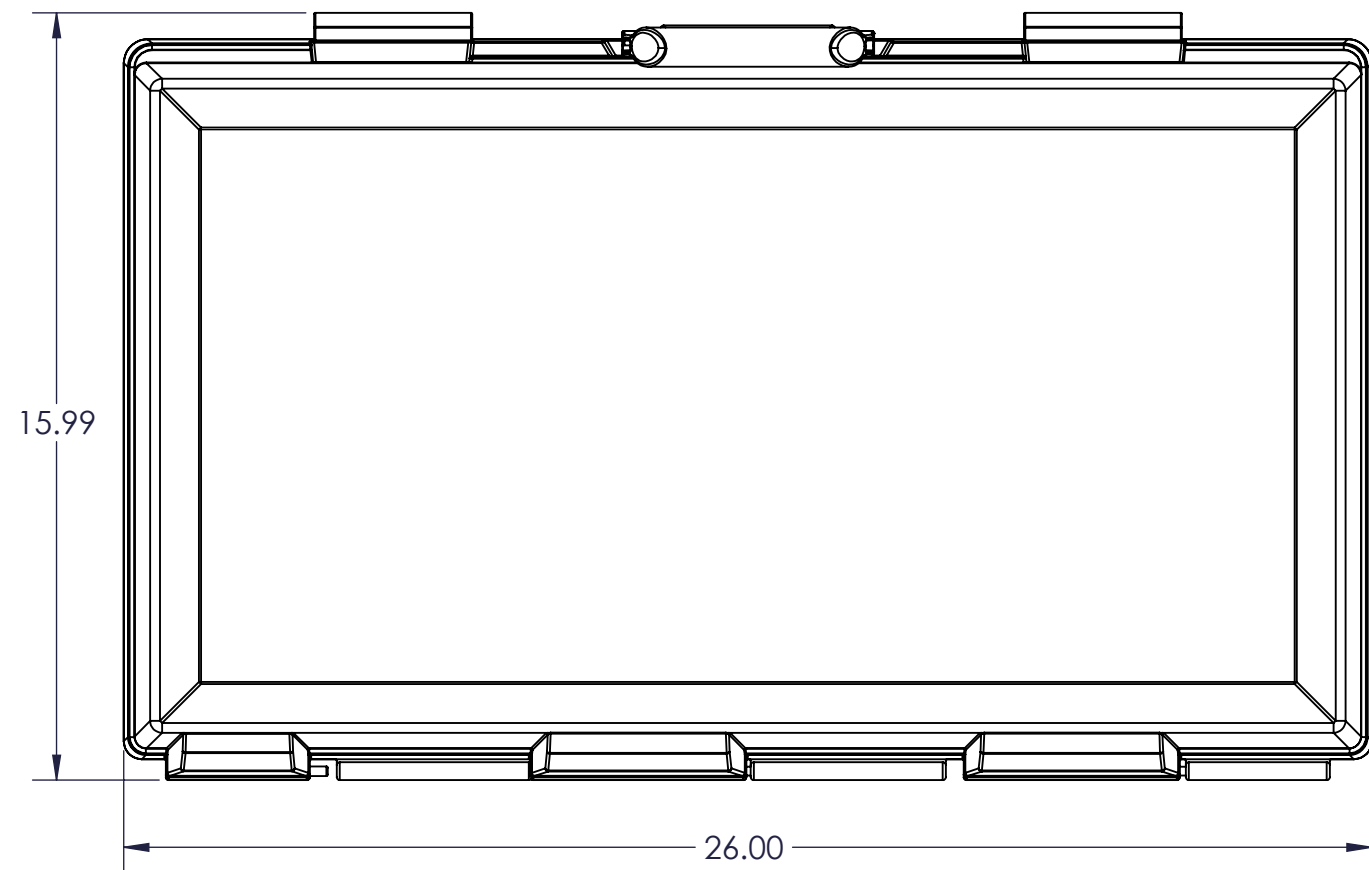
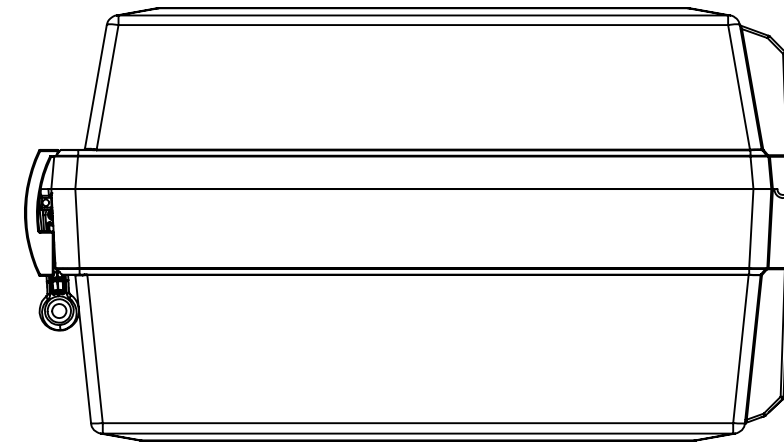
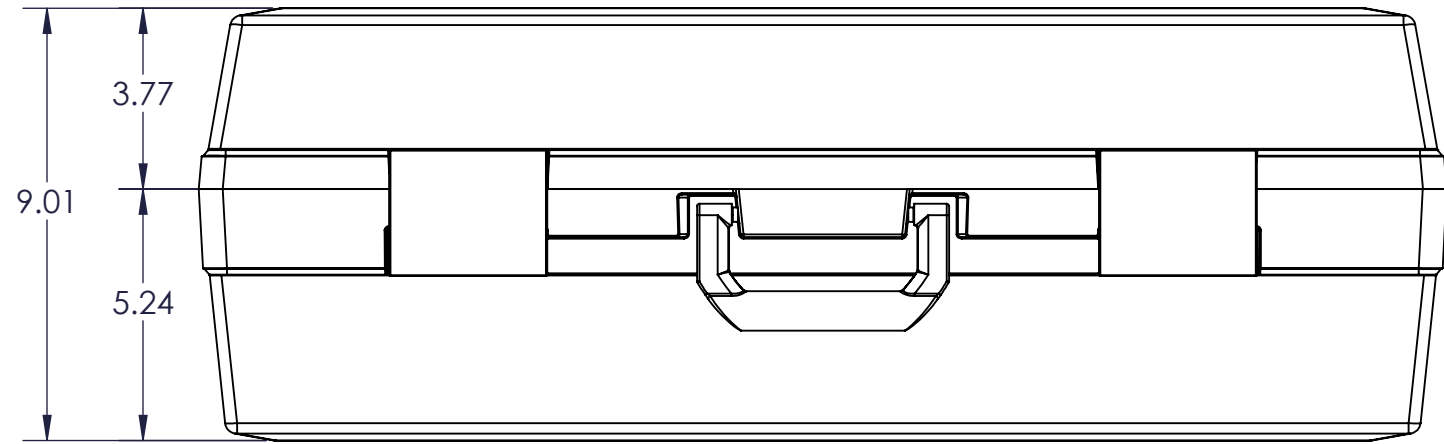


Notes  
 1. Depth of logo area: 0.010"

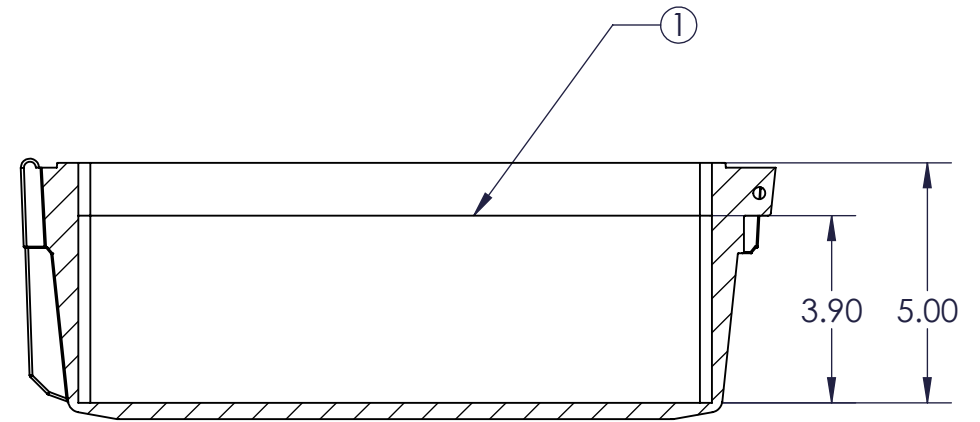
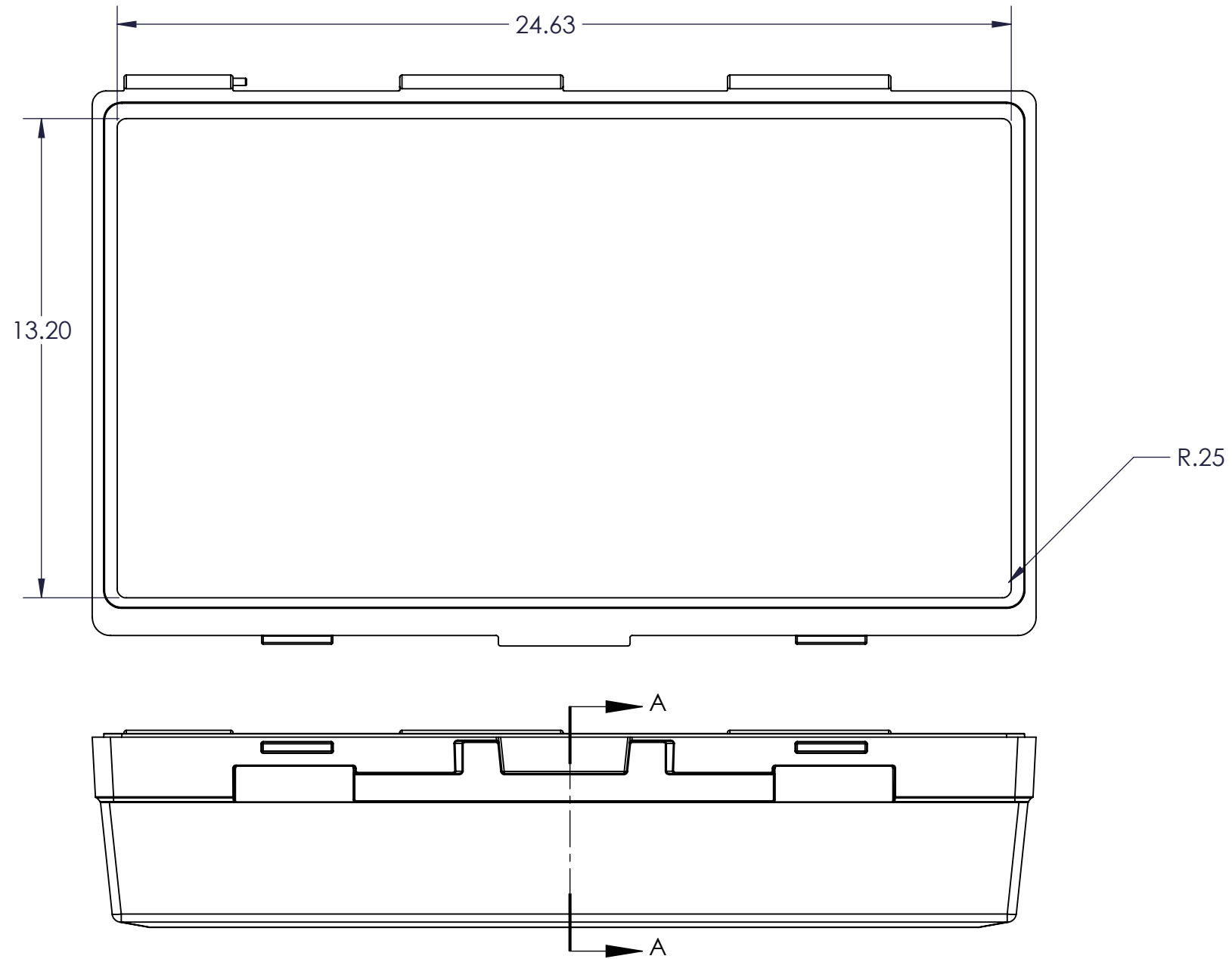
REV	ECR	DESCRIPTION	DATE	BY	APR
REVISIONS					

<b>PROPRIETARY AND CONFIDENTIAL</b> THE INFORMATION CONTAINED IN THIS DRAWING IS THE SOLE PROPERTY OF FLAMBEAU, INC. ANY REPRODUCTION IN PART OR AS A WHOLE WITHOUT THE WRITTEN PERMISSION OF FLAMBEAU, INC. IS PROHIBITED.  DIMENSIONS ARE IN INCHES TOLERANCES: FRACTIONAL ±1/64" ANGULAR: MACH ±.5 BEND ± TWO PLACE DECIMAL ±.040" THREE PLACE DECIMAL ±.005" FOUR PLACE DECIMAL ±.001"	<b>SHT</b>	<b>FLAMBEAU, INC.</b> <small>911 LYNN AVENUE BARABOO, WI 53913 PH.(608)356-5551</small>		
	<b>1</b>	Scale: 1:4	BFI No: NA	Drawn By: RES Date: 12-28-17
	<b>OF</b>	Mold No: NA	Mat'l:	FPN: <b>TBD</b>
	<b>1</b>	Description: <b>PZ-9 BACK, TOP, RIGHT</b>		
		Customer: <b>Flambeau Packaging</b>	Dwg No: <b>50415- TE</b>	



REV	ECR	DESCRIPTION	DATE	BY	APR
REVISIONS					

<p><b>PROPRIETARY AND CONFIDENTIAL</b>          THE INFORMATION CONTAINED IN THIS DRAWING IS THE SOLE PROPERTY OF FLAMBEAU, INC. ANY REPRODUCTION IN PART OR AS A WHOLE WITHOUT THE WRITTEN PERMISSION OF FLAMBEAU, INC. IS PROHIBITED.</p> <p>DIMENSIONS ARE IN INCHES          TOLERANCES:          FRACTIONAL <math>\pm 1/64</math>"          ANGULAR: MACH <math>\pm .5</math> BEND <math>\pm</math>          TWO PLACE DECIMAL <math>\pm .040</math>"          THREE PLACE DECIMAL <math>\pm .005</math>"          FOUR PLACE DECIMAL <math>\pm .001</math>"</p>	<p>SHT <b>1</b></p>	<p><b>FLAMBEAU, INC.</b>          911 LYNN AVENUE BARABOO, WI 53913 PH.(608)356-5551</p>		
	<p>Scale: 1:4          Mold No: NA</p>	<p>BFI No: NA          Mat'l:</p>	<p>Drawn By: RES Date: 12-28-17          FPN: <b>TBD</b></p>	
	<p>OF <b>1</b></p>	<p>Description:  <b>PZ-9 Front Bottom Left</b></p>		
		<p>Customer: <b>Flambeau Packaging</b></p>	<p>Dwg No: <b>50415-BE</b></p>	



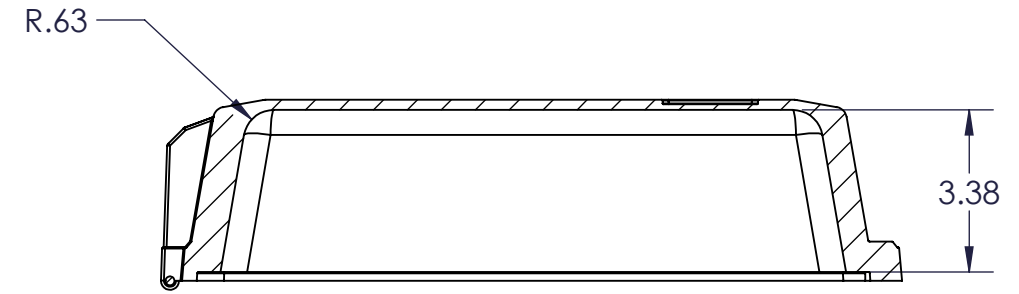
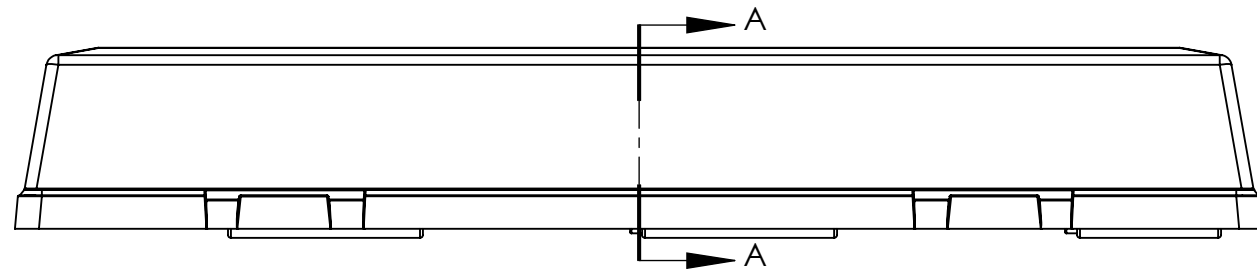
SECTION A-A  
SCALE 1 : 4

Notes

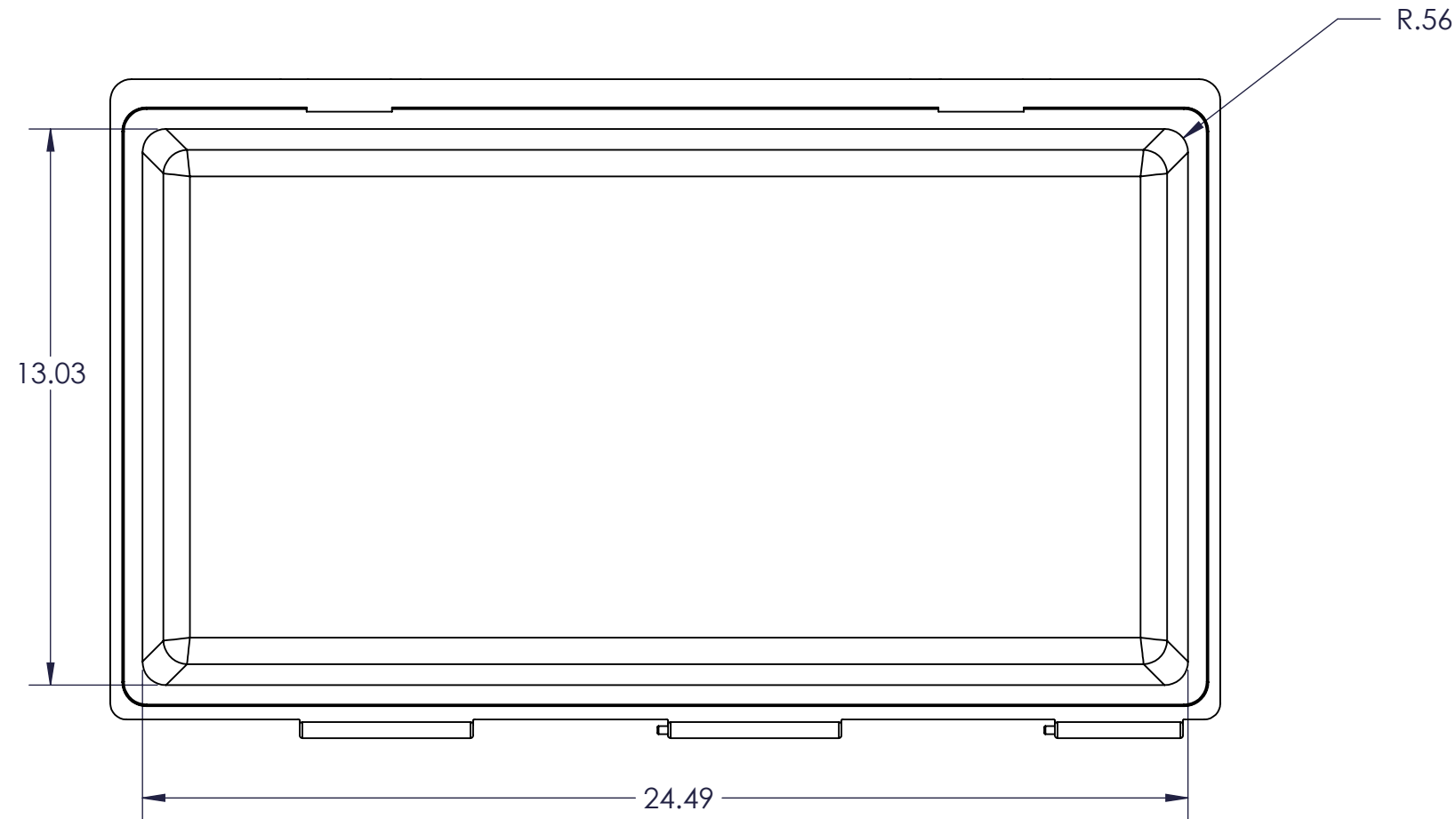
1. Minimum foam height
1. Drawing represents usable storage space for the base interior.
2. Flambeau recommends requesting a sample box before desinging any fitted dunnage solution such as foam interiors.

REV	ECR	DESCRIPTION	DATE	BY	APR
REVISIONS					

<b>PROPRIETARY AND CONFIDENTIAL</b> THE INFORMATION CONTAINED IN THIS DRAWING IS THE SOLE PROPERTY OF FLAMBEAU, INC. ANY REPRODUCTION IN PART OR AS A WHOLE WITHOUT THE WRITTEN PERMISSION OF FLAMBEAU, INC. IS PROHIBITED.	<b>SHT</b> <b>1</b>	<b>FLAMBEAU, INC.</b> <small>911 LYNN AVENUE BARABOO, WI 53913 PH.(608)356-5551</small>		
	<b>1</b>	Scale: 1:4 Mold No: NA	BFI No: NA Mat'l:	Drawn By: RES Date: 1-2-18 FPN: <b>TBD</b>
DIMENSIONS ARE IN INCHES TOLERANCES: FRACTIONAL ±1/64" ANGULAR: MACH ± .5 BEND ± TWO PLACE DECIMAL ±.040" THREE PLACE DECIMAL ±.005" FOUR PLACE DECIMAL ±.001"	<b>OF</b> <b>1</b>	Description: <b>PZ-9 Base Interior</b>		
		Customer: <b>Flambeau Packaging</b>	Dwg No: <b>50415-BI</b>	



SECTION A-A  
SCALE 1 : 4



<b>PROPRIETARY AND CONFIDENTIAL</b> THE INFORMATION CONTAINED IN THIS DRAWING IS THE SOLE PROPERTY OF FLAMBEAU, INC. ANY REPRODUCTION IN PART OR AS A WHOLE WITHOUT THE WRITTEN PERMISSION OF FLAMBEAU, INC. IS PROHIBITED.	<b>SHT</b> <b>1</b>	<b>FLAMBEAU, INC.</b> 911 LYNN AVENUE BARABOO, WI 53913 PH.(608)356-5551	
	<b>1</b>	Scale: 1:4 Mold No: NA	BFI No: NA Mat'l: Drawn By: RES Date: 1-3-18 FPN: <b>TBD</b>
DIMENSIONS ARE IN INCHES TOLERANCES: FRACTIONAL ±1/64" ANGULAR: MACH ± .5 BEND ± TWO PLACE DECIMAL ±.040" THREE PLACE DECIMAL ±.005" FOUR PLACE DECIMAL ±.001"	<b>OF</b> <b>1</b>	Description: <b>PZ-9 LID INTERIOR</b> Customer: <b>Flambeau Packaging</b> Dwg No: <b>50045-LI</b>	

REV	ECR	DESCRIPTION	DATE	BY	APR
REVISIONS					