
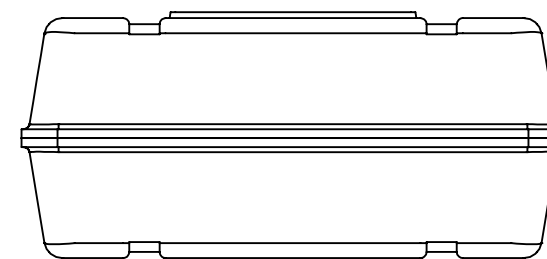
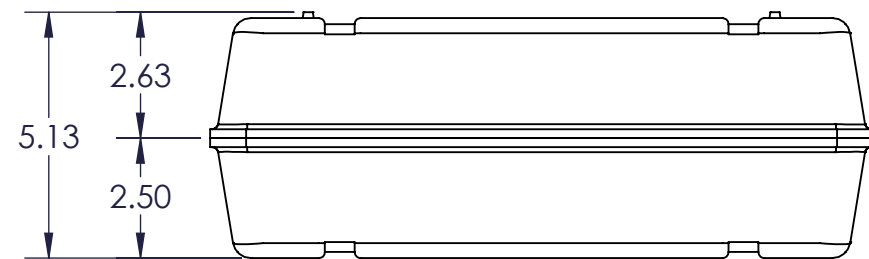
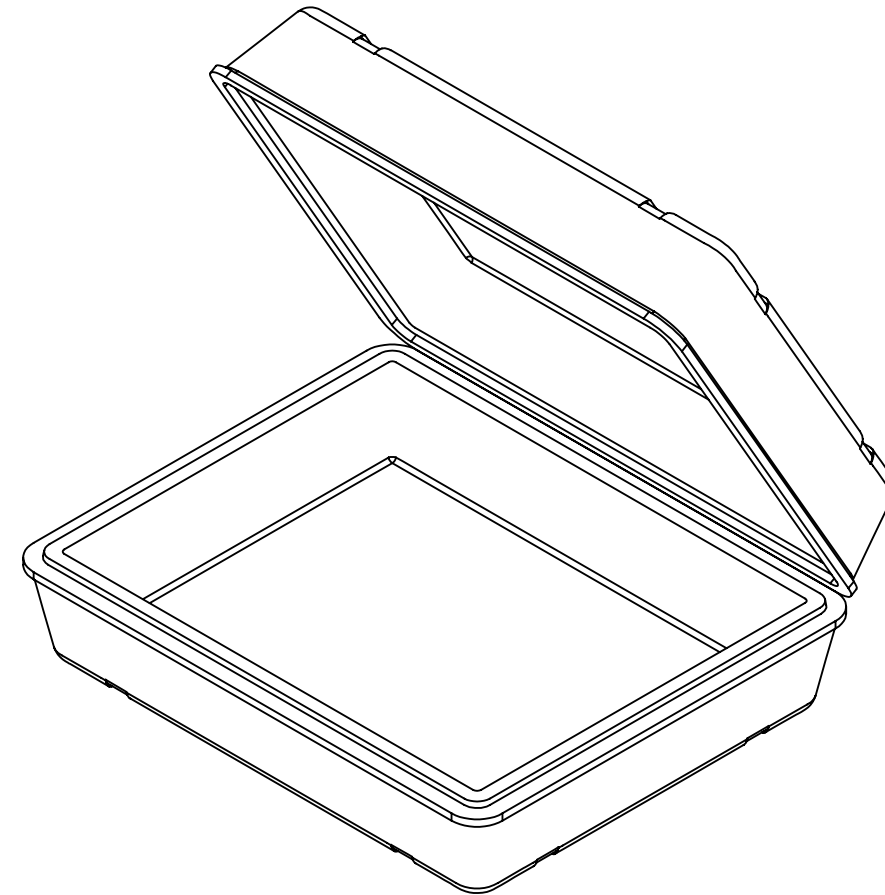
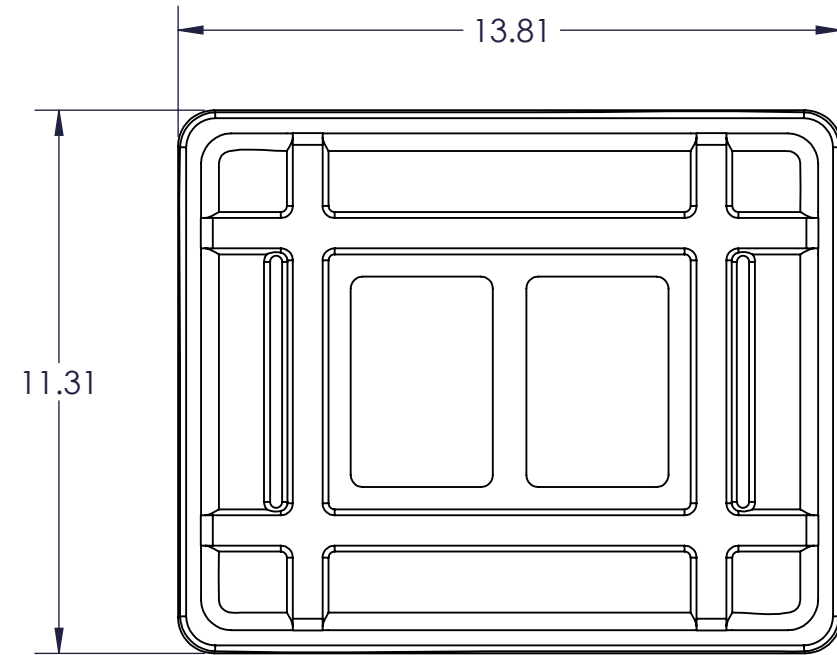


Notes
 1. Logo depth of 0.05"

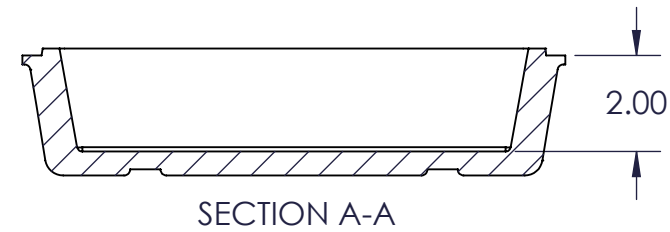
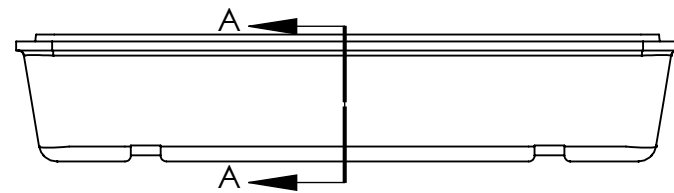
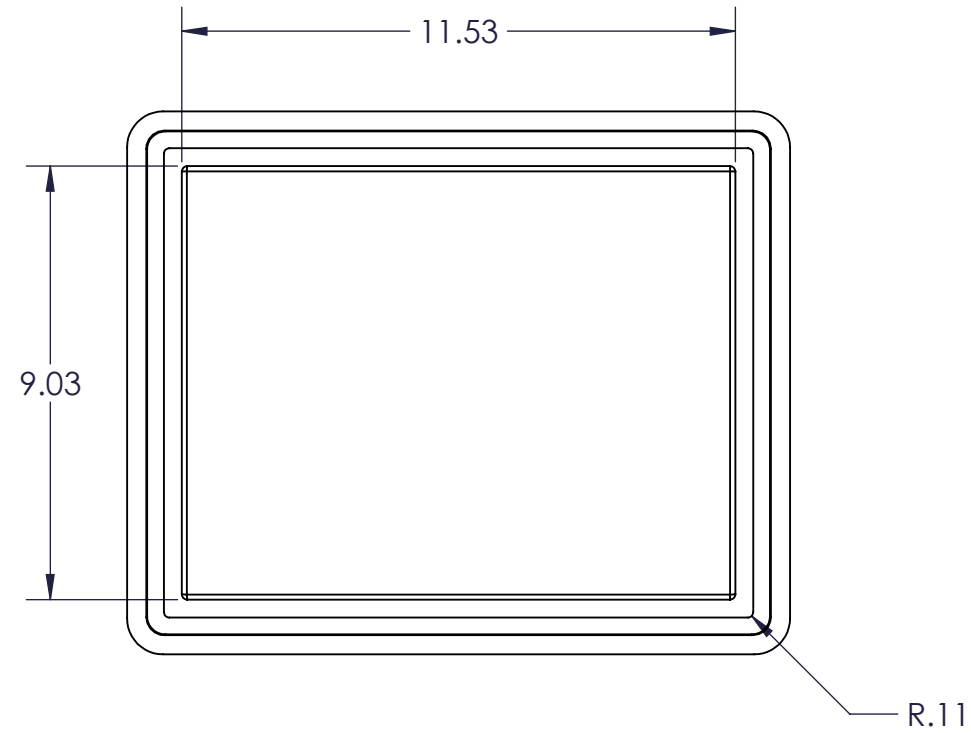
REV	ECR	DESCRIPTION	DATE	BY	APR
REVISIONS					

PROPRIETARY AND CONFIDENTIAL THE INFORMATION CONTAINED IN THIS DRAWING IS THE SOLE PROPERTY OF FLAMBEAU, INC. ANY REPRODUCTION IN PART OR AS A WHOLE WITHOUT THE WRITTEN PERMISSION OF FLAMBEAU, INC. IS PROHIBITED. DIMENSIONS ARE IN INCHES TOLERANCES: FRACTIONAL $\pm 1/64$ " ANGULAR: MACH $\pm .5$ BEND \pm TWO PLACE DECIMAL $\pm .040$ " THREE PLACE DECIMAL $\pm .005$ " FOUR PLACE DECIMAL $\pm .001$ "	SHT 1	 FLAMBEAU, INC. 911 LYNN AVENUE BARABOO, WI 53913 PH.(608)356-5551	Scale: 1:4 Mold No: NA	BFI No: NA Mat'l:	Drawn By: RJH Date: 6-5-18 FPN: TBD
	OF 1		Description: SM-12 - BACK TOP RIGHT		



REV	ECR	DESCRIPTION	DATE	BY	APR
REVISIONS					

<p>PROPRIETARY AND CONFIDENTIAL THE INFORMATION CONTAINED IN THIS DRAWING IS THE SOLE PROPERTY OF FLAMBEAU, INC. ANY REPRODUCTION IN PART OR AS A WHOLE WITHOUT THE WRITTEN PERMISSION OF FLAMBEAU, INC. IS PROHIBITED.</p> <p>DIMENSIONS ARE IN INCHES TOLERANCES: FRACTIONAL $\pm 1/64$" ANGULAR: MACH $\pm .5$ BEND \pm TWO PLACE DECIMAL $\pm .040$" THREE PLACE DECIMAL $\pm .005$" FOUR PLACE DECIMAL $\pm .001$"</p>	SHT	FLAMBEAU, INC. <small>911 LYNN AVENUE BARABOO, WI 53913 PH.(608)356-5551</small>		
	1	Scale: 1:4	BFI No: NA	Drawn By: RJH Date: 6-5-18
	OF	Mold No: NA	Mat'l:	FPN: TBD
	1	Description: SM-12 - FRONT BOTTOM LEFT		
		Customer: Flambeau Packaging	Dwg No: 8286-PI07-BE	

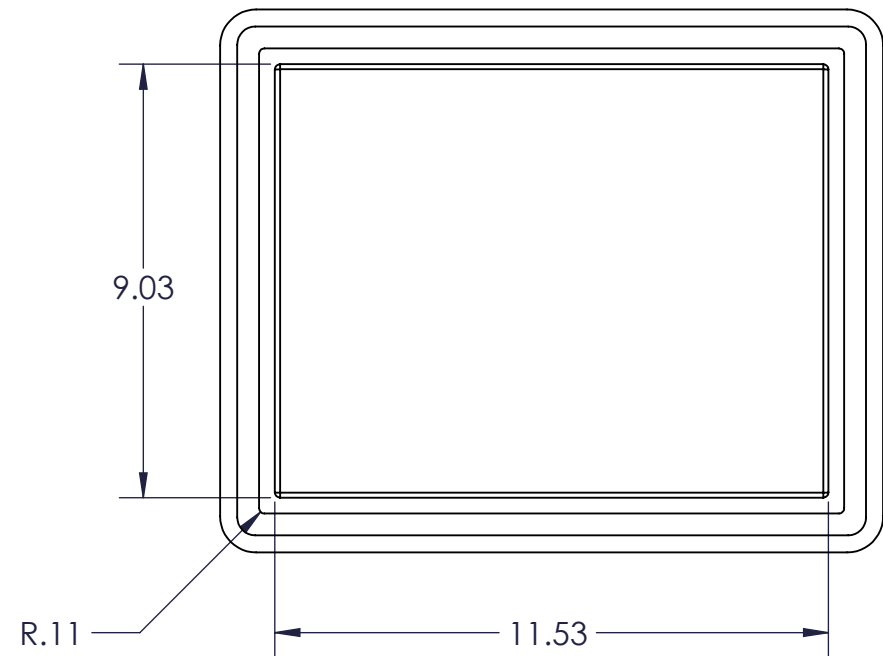
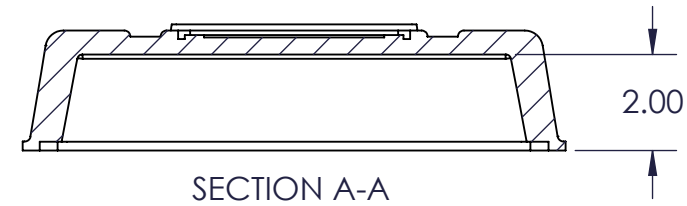
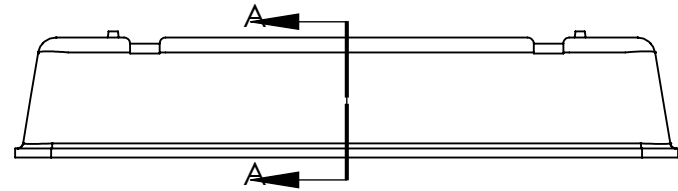


Notes

1. Drawing represents the usable storage space for the base interior
2. Flambeau suggest requesting a sample box before designing any fitted dunnage such as foam interiors

REV	ECR	DESCRIPTION	DATE	BY	APR
REVISIONS					

PROPRIETARY AND CONFIDENTIAL THE INFORMATION CONTAINED IN THIS DRAWING IS THE SOLE PROPERTY OF FLAMBEAU, INC. ANY REPRODUCTION IN PART OR AS A WHOLE WITHOUT THE WRITTEN PERMISSION OF FLAMBEAU, INC. IS PROHIBITED.	SHT	FLAMBEAU, INC. <small>911 LYNN AVENUE BARABOO, WI 53913 PH.(608)356-5551</small>		
	1	Scale: 1:4	BFI No: NA	Drawn By: RJH Date: 6-4-18
		Mold No: NA	Mat'l:	FPN: TBD
	OF	Description: SM-12 - BASE INTERIOR		
1	Customer: Flambeau Packaging	Dwg No: 8286-PI07-BI		
DIMENSIONS ARE IN INCHES TOLERANCES: FRACTIONAL ±1/64" ANGULAR: MACH ± .5 BEND ± TWO PLACE DECIMAL ±.040" THREE PLACE DECIMAL ±.005" FOUR PLACE DECIMAL ±.001"				



Notes

1. Drawing represents the usable storage space for the lid interior
2. Flambeau suggest requesting a sample box before designing any fitted dunnage such as foam interiors

PROPRIETARY AND CONFIDENTIAL THE INFORMATION CONTAINED IN THIS DRAWING IS THE SOLE PROPERTY OF FLAMBEAU, INC. ANY REPRODUCTION IN PART OR AS A WHOLE WITHOUT THE WRITTEN PERMISSION OF FLAMBEAU, INC. IS PROHIBITED.	SHT 1	FLAMBEAU, INC. <small>911 LYNN AVENUE BARABOO, WI 53913 PH.(608)356-5551</small>	
	1 OF 1	Scale: 1:4 Mold No: NA	BFI No: NA Mat'l:
DIMENSIONS ARE IN INCHES TOLERANCES: FRACTIONAL ±1/64" ANGULAR: MACH ± .5 BEND ± TWO PLACE DECIMAL ±.040" THREE PLACE DECIMAL ±.005" FOUR PLACE DECIMAL ±.001"		Description: SM-12 - LID INTERIOR	
		Customer: Flambeau Packaging	Dwg No: 8286-PI07-LI

REV	ECR	DESCRIPTION	DATE	BY	APR
REVISIONS					